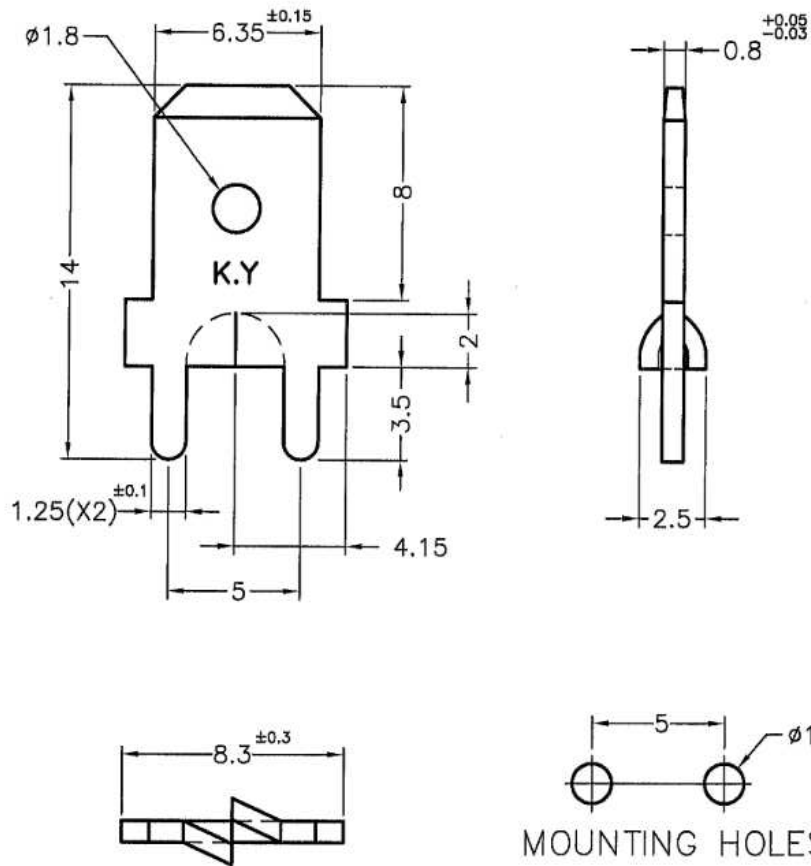
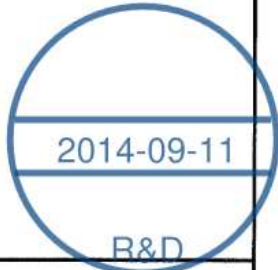


REVISIONS			
REV	DESCRIPTION	DATE	BY



康揚符合歐盟ROHS規範 (K. Y. Accord EU RoHS Compliant)

★鉛Pb	<1000PPM
★鎘Cd	< 100PPM
★汞Hg	<1000PPM
★六價鉻Cr6+	<1000PPM
★多溴聯苯類PBBs	<1000PPM
★多溴聯苯醚類PBDEs	<1000PPM



PART NUMBER PCRS250		DRAWING NUMBER PCRS250H		TITLE P. C. B TERMINAL	DATE 2005.11.15
SIZE A4		SCALE 4:1		MATERIAL BRASS	DRAWN
UNIT mm		REV E		FINISH TIN PLATED	CHECK
UNLESS OTHERWISE SPECIFIED TOLERANCE $\pm 0.2$		APPROVED <i>Kang</i>			