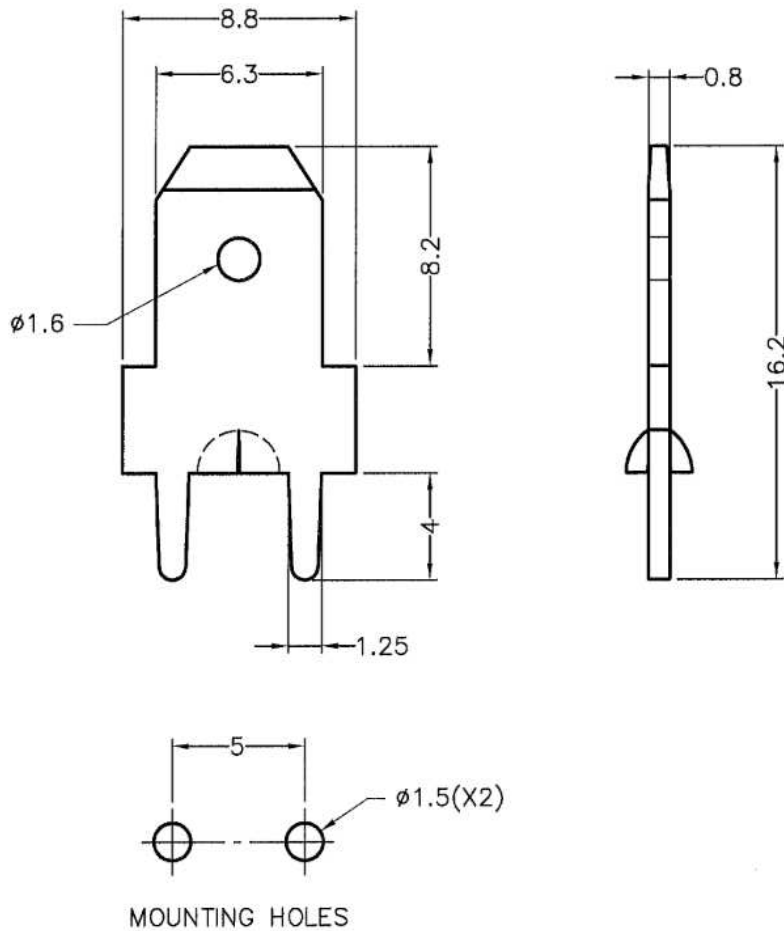


REVISIONS			
REV	DESCRIPTION	DATE	BY



康揚符合歐盟ROHS規範 (K.Y. Accord EU RoHS Compliant)	
★鉛Pb	<1000PPM
★鎘Cd	< 100PPM
★汞Hg	<1000PPM
★六價鉻Cr6+	<1000PPM
★多溴聯苯類PBBs	<1000PPM
★多溴聯苯醚類PBDEs	<1000PPM

PART NUMBER PCRS250-1				TITLE P. C. B TERMINAL			
				MATERIAL BRASS		DATE 2005.01.06	
				FINISH TIN PLATED		DRAWN	
				COLOR		CHECK	
DRAWING NUMBER PCRS250-1		UNLESS OTHERWISE SPECIFIED TOLERANCE ± 0.3					
SIZE A4	SCALE 4:1	UNIT mm	REV A	APPROVED <i>Kang</i>			