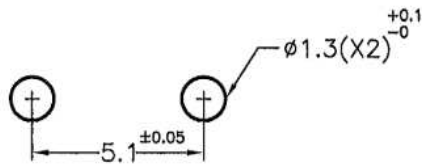
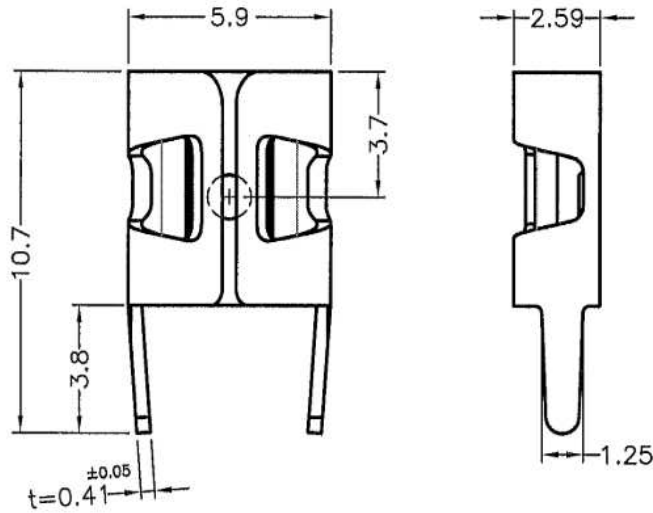


REVISIONS			
REV	DESCRIPTION	DATE	BY

TAB SIZE : 4.8 X 0.81 .



MOUNTING HOLES

1. BEST USE DATE FOR TIN PLATED PARTS ARE WITHIN FIVE MONTHS SINCE MFG DATE.  
鍍錫最佳使用時間，為製造日期 5 個月內。
2. FINISH: TIN PLATED. IF PARTS ARE NOT USED UP PLEASE STORE IN A SEAL BAG.  
表面為鍍錫，未使用完畢時，產品請密封。

符合歐盟ROHS規範 (RoHS Compliant)	
★鉛Pb	<1000PPM
★鎘Cd	< 100PPM
★汞Hg	<1000PPM
★六價鉻Cr6+	<1000PPM
★多溴聯苯類PBBs	<1000PPM
★多溴聯苯醚類PBDEs	<1000PPM

PART NUMBER PCFS187		DRAWING NUMBER PCFS187		TITLE P.C.B TERMINAL			
				MATERIAL BRASS		DATE 2015.04.14	
				FINISH TIN PLATED OVER NICKEL		DRAWN ROBERT	
				COLOR		CHECK	
SIZE A4	SCALE 5:1	UNIT mm	REV A	UNLESS OTHERWISE SPECIFIED TOLERANCE ±0.2			
				APPROVED <i>Kang</i>			