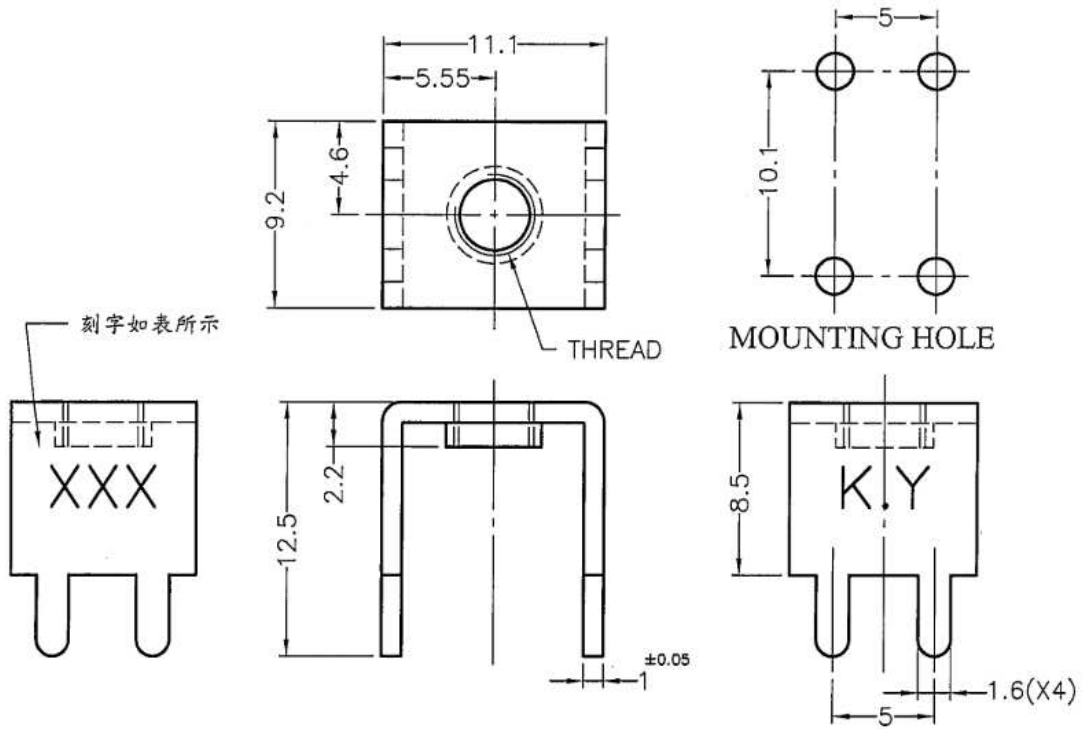
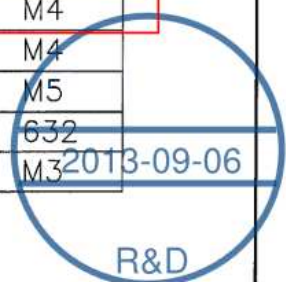


REVISIONS			
REV	DESCRIPTION	DATE	BY



PART NO.	THREAD	MATERIAL	FINISH	刻字
PCB-7	M3x0.5	BRASS	TIN PLATED	M3
PCB-7R	M3x0.5	RED COPPER	TIN PLATED	M3
PCB-7(M4)	M4x0.7	BRASS	TIN PLATED	M4
PCB-7R(M4)	M4x0.7	RED COPPER	TIN PLATED	M4
PCB-7(M5)	M5x0.8	BRASS	TIN PLATED	M5
PCB-7(632)	#6-32	BRASS	TIN PLATED	632
PCB-7NI	M3x0.5	BRASS	NICKEL PLATED	M3



PART NUMBER SEE ABOVE		DRAWING NUMBER PCB-7		TITLE	
				MATERIAL SEE ABOVE	DATE 2001.03.23
SIZE A4		SCALE 3:1		FINISH SEE ABOVE	DRAWN
				COLOR	CHECK
UNIT mm	REV C	UNLESS OTHERWISE SPECIFIED TOLERANCE ± 0.2	APPROVED <i>Kang</i>		