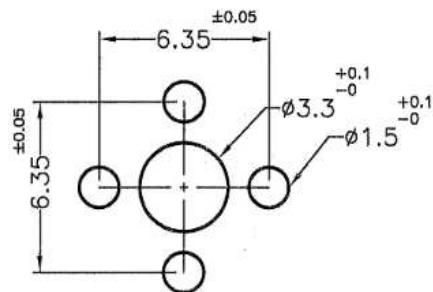
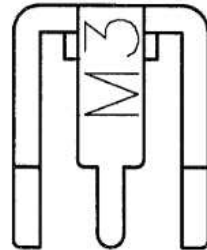
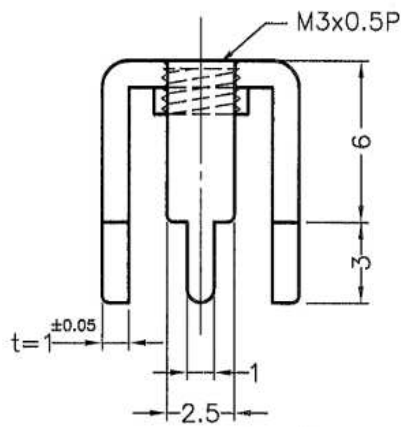
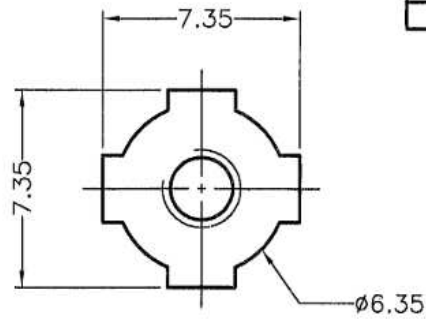
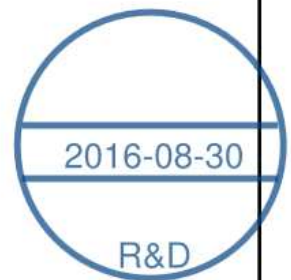


REVISIONS			
REV	DESCRIPTION	DATE	BY



MOUNTING HOLES

符合歐盟ROHS規範 (RoHS Compliant)	
★鉛Pb	<1000PPM
★鎘Cd	< 100PPM
★汞Hg	<1000PPM
★六價鉻Cr6+	<1000PPM
★多溴聯苯類PBBs	<1000PPM
★多溴聯苯醚類PBDEs	<1000PPM



PART NUMBER PCB-49(M3)		DRAWING NUMBER PCB-49(M3)		TITLE P. C. B TERMINAL		
				MATERIAL SPCC		DATE 2011.04.29
				FINISH TIN PLATED		DRAWN
				COLOR		CHECK
SIZE A4	SCALE 4:1	UNIT mm	REV B	UNLESS OTHERWISE SPECIFIED TOLERANCE ±0.2		
				APPROVED <i>Kang</i>		