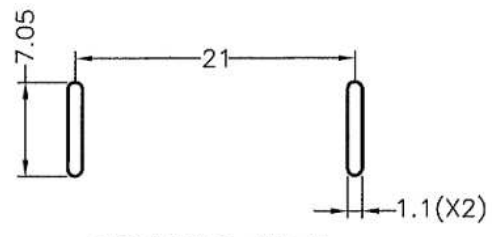
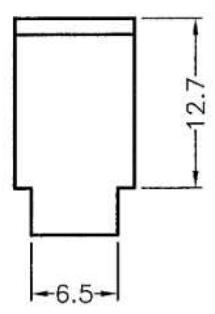
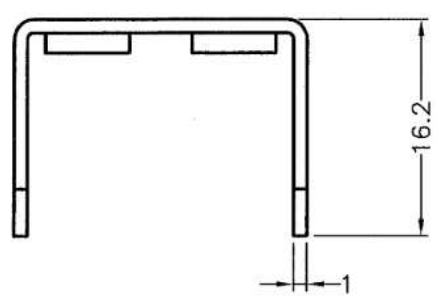
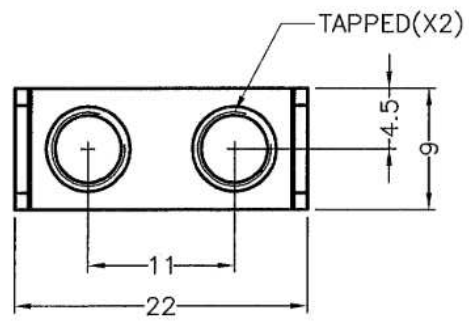


REVISIONS			
REV	DESCRIPTION	DATE	BY



MOUNTING HOLE

PART NO.	TAPPED
PCB-36	M5
PCB-36(M4)	M4

NOTE: It is reduced is normal.

符合歐盟ROHS規範 (RoHS Compliant)	
★鉛Pb	<1000PPM
★鎘Cd	< 100PPM
★汞Hg	<1000PPM
★六價鉻Cr6+	<1000PPM
★多溴聯苯類PBBs	<1000PPM
★多溴聯苯醚類PBDEs	<1000PPM

PART NUMBER PCB-36		DRAWING NUMBER PCB-36		TITLE P. C. B TERMINAL		
				MATERIAL PHOSPHOR BRONZE		DATE 2009.12.07
				FINISH TIN PLATED		DRAWN
				COLOR		CHECK
SIZE A4	SCALE 2:1	UNIT mm	REV B	UNLESS OTHERWISE SPECIFIED TOLERANCE ±0.2		
				APPROVED 		