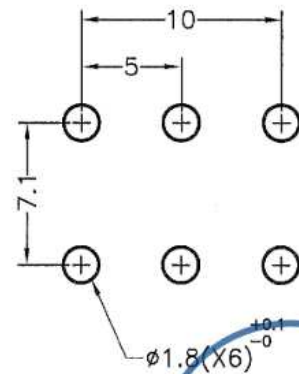
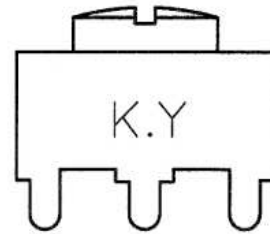
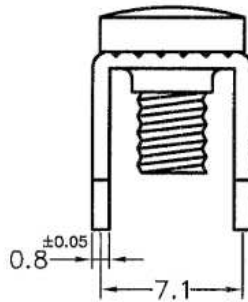
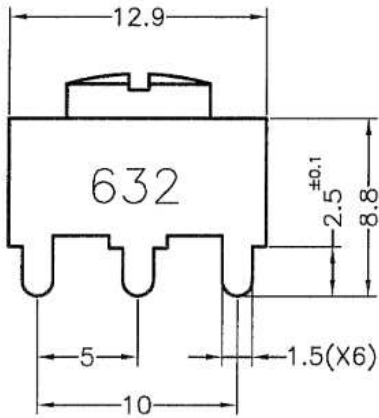
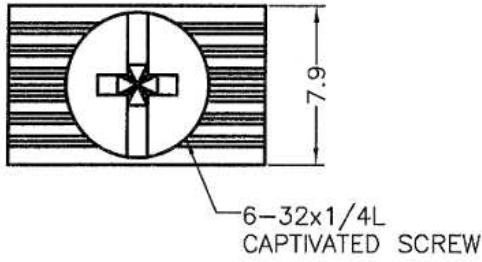


REVISIONS			
REV	DESCRIPTION	DATE	BY



MOUNTING HOLE

2016-08-30

R&D

符合歐盟ROHS規範 (RoHS Compliant)	
★鉛Pb	<100PPM
★鎘Cd	<100PPM
★汞Hg	<100PPM
★六價鉻Cr6+	<100PPM
★多溴聯苯類PBBs	<100PPM
★多溴聯苯醚類PBDEs	<100PPM

PART NUMBER PCB-20(632)F				DRAWING NUMBER PCB-20		TITLE P. C. B TERMINAL			
				SIZE A4		SCALE 3:1		TERMINAL MATERIAL BRASS WITH TIN PLATED	
				UNIT mm		REV B		DATE 2007.08.22	
UNLESS OTHERWISE SPECIFIED TOLERANCE ±0.3				SCREW MATERIAL STEEL WITH NI PLATED		DRAWN			
APPROVED <i>Kang</i>				CHECK		COLOR			