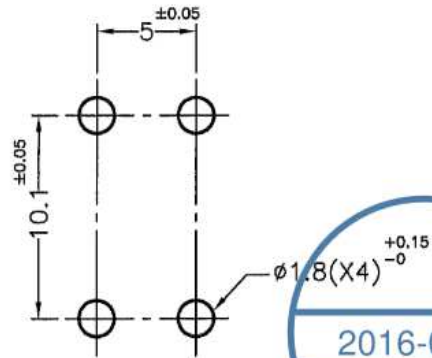
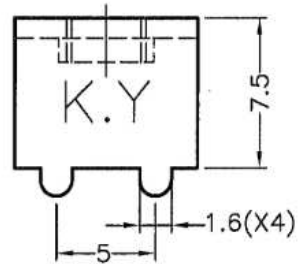
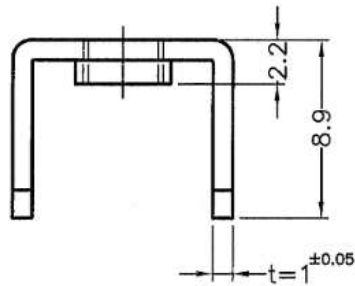
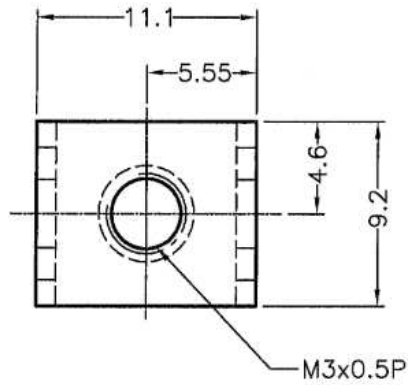


REVISIONS			
REV	DESCRIPTION	DATE	BY



MOUNTING HOLES

2016-08-30

R&D

康揚符合歐盟ROHS規範 (K.Y. Accord EU RoHS Compliant)

★ 鉛Pb	<1000PPM
★ 鎘Cd	< 100PPM
★ 汞Hg	<1000PPM
★ 六價鉻Cr6+	<1000PPM
★ 多溴聯苯類PBBs	<1000PPM
★ 多溴聯苯醚類PBDEs	<1000PPM

PART NUMBER <b>PCB-18</b>		DRAWING NUMBER <b>PCB-18</b>		TITLE	P. C. B TERMINAL		
				MATERIAL	BRASS	DATE	2005.10.25
				FINISH	TIN PLATED	DRAWN	
				COLOR		CHECK	
SIZE	A4	SCALE	3:1	UNIT	mm		
				REV	A		
UNLESS OTHERWISE SPECIFIED TOLERANCE				±0.2	APPROVED		
					<i>Kang</i>		