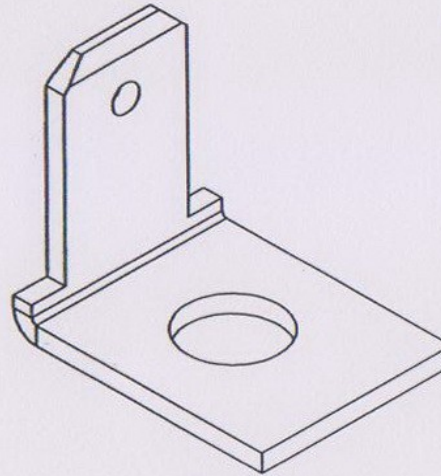
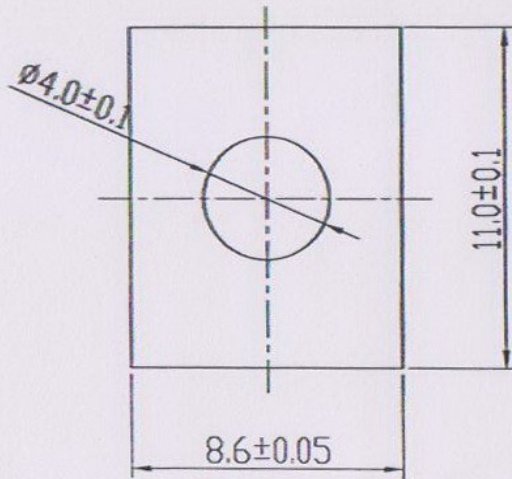
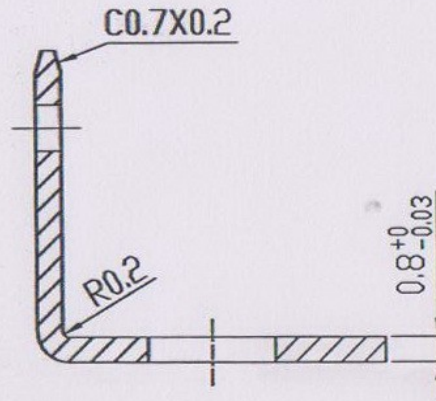
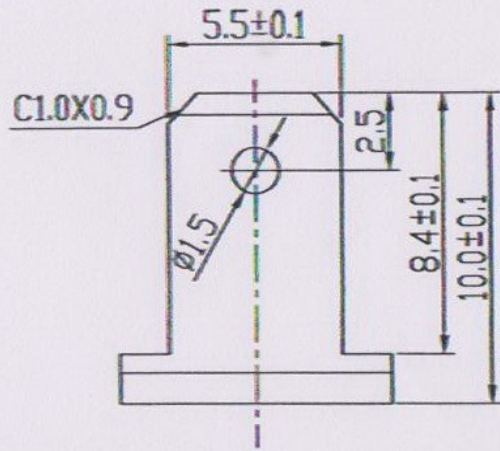


REVISION RECORD				
REV	ECO	DESCRIPTION	DRFT	DATE



Notes:

1. Material: H62 H/2, T=0.8mm;
2. Plating: Cu plated at the bottom is more than 2um; Ni plated on the surface is more than 2um; Sn plated at the bottom is more than 4um;
3. Undimensioned Tolerances:

Pitch range in mm	Nominal dimension range in mm						—
	over 6 to 6	over 10 to 10	over 10 to 24	over 30 to 30	over 60 to 60	over 100 to 150	
±0.10	±0.15	±0.25	±0.2	±0.3	±0.5	±0.7	±1.0 0.05/10



1	K7	C0710		H62	SnCe
ITEM	NAME OF PART	NO. OF PART	Q'TY	MATERIAL	NOTES
MM (CINCH) TOLERANCES EXCEPT AS NOTED MM ± .2 ± .1 ± .05 ANGLES ± 1° THIRD ANGLE PROJECTION		DFTD YHG CHKD WY MFD APPVL Hany G.E. FINISH SCALE 1:1	DATE 11/11/08 DATE 10-30-09 DATE DATE 10/30/09	宁波高正电子有限公司 DEGSON® DEGSON ELECTRONICS CO., LTD NAME K7-00A(H) DRAWING NO. K7-E01 /PART NO. DD NOT SCALE DRAWING	
			SIZE A4	REV TO 10/23/09	SHEET 1 OF 1