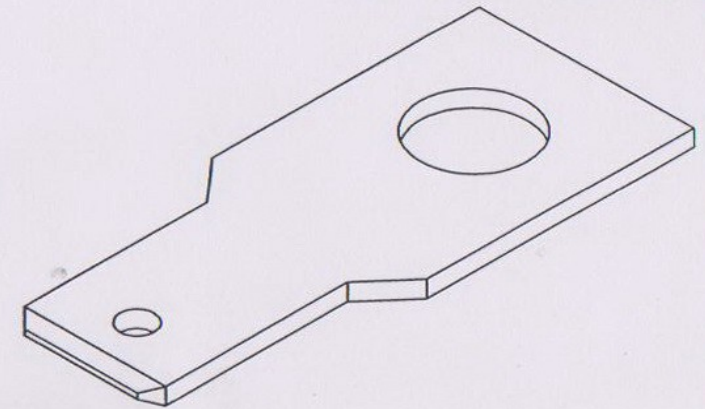
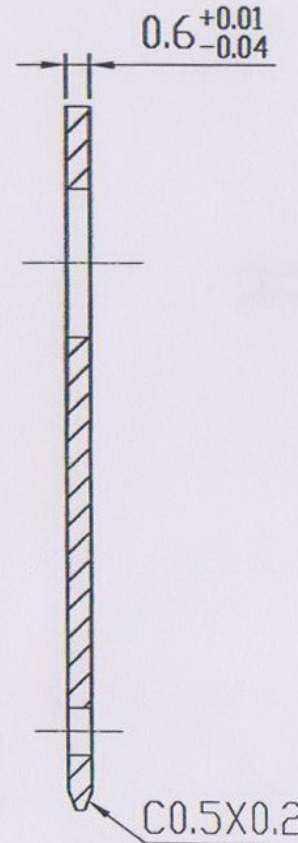
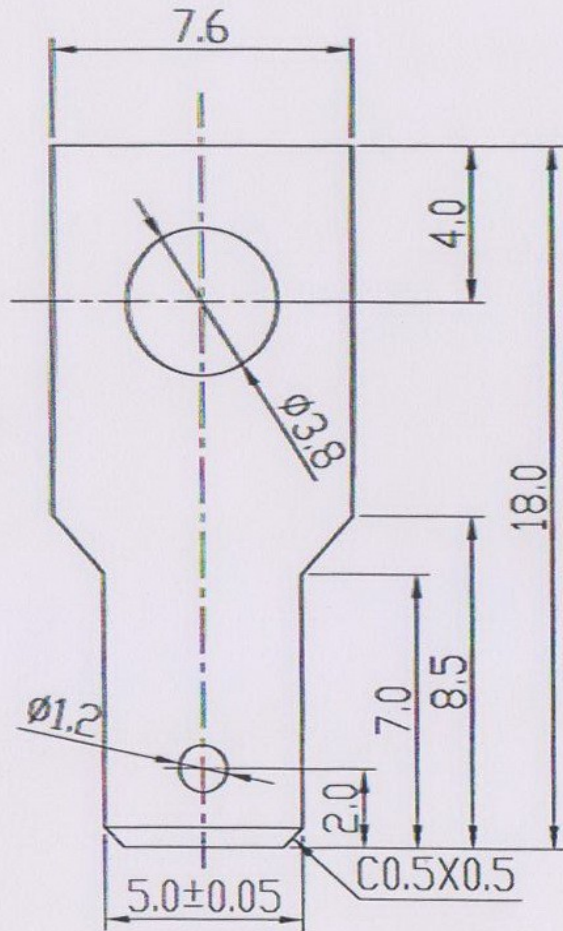


REVISION RECORD				
REV	ECD	DESCRIPTION	DRFT	DATE
△		增加材质牌号, 修改电镀标准	YHG	10/15/09



Notes:

1. Material: H62 H/2, T=0.6mm;
2. Plating: Cu plated at the bottom is more than 2um; Ni plated on the surface is more than 2um; △ Sn plated at the bottom is more than 4um;
3. Undimensioned Tolerances:

Pitch range in mm			Nominal dimension range in mm				
to	over	to	to	over	over	over	
6	6	10	30	30	60	100	150
±0.10	±0.15	±0.25	±0.2	±0.3	±0.5	±0.7	±1.0
							0.05/10



ITEM	NAME OF PART	NO. OF PART	Q'TY	MATERIAL	NOTES
1	K6	C0610		H62	SnCe
TOLERANCES EXCEPT AS NOTED: MM .0 ± .005 .00 ± .002 .000 ± .001		DATE 11/11/08 DATE 10/30/09 DATE 10/15/09		DEGSON 宁波高正电子有限公司 DEGSON ELECTRONICS CO., LTD	
ANGLES ± 1° THIRD ANGLE PROJECTION		G.E : FINISH: SCALE : 1:1		NAME K6-00A (H) DRAWING NO. K6-E01 /PART NO. DD NOT SCALE DRAWING	
			SHEET 1	SIZE A4	REV T1 10/15/09 OF 1