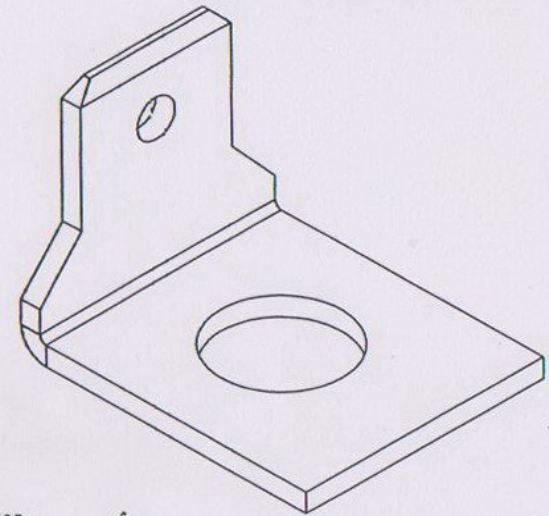
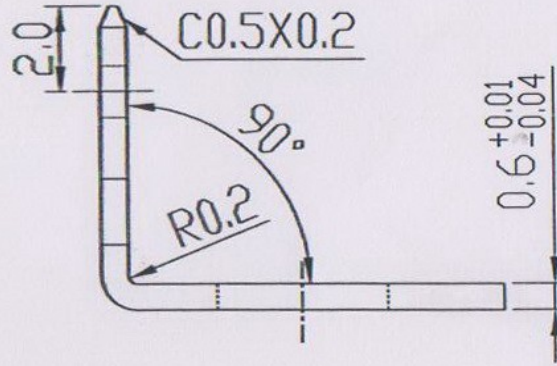
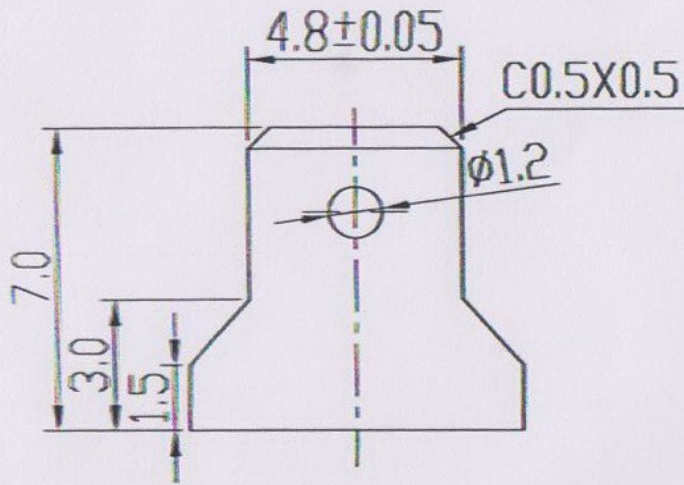


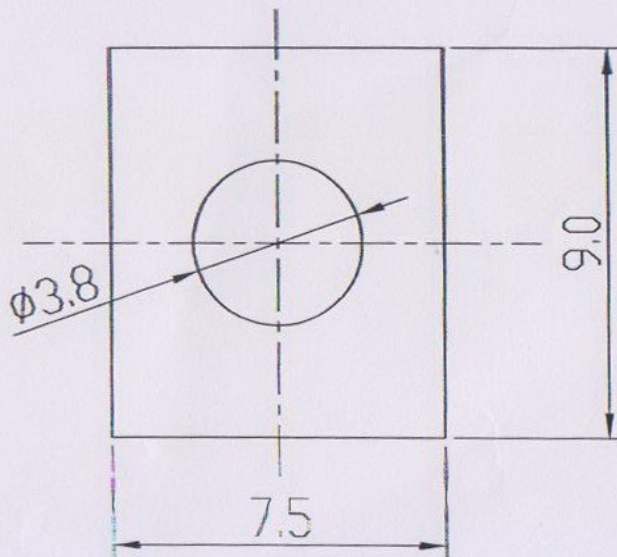
REVISION RECORD			
REV	ECD	DESCRIPTION	DRFT DATE
△		增加材质牌号,修改电镀标准	YHG 10/15/09



Notes:

- Material: H62 H/2, T=0.6mm;
- Plating: Cu plated at the bottom is more than 2um; Ni plated on the surface is more than 2um; Sn plated at the bottom is more than 4um;
- Undimensioned Tolerances:

Pitch range in mm		Nominal dimension range in mm					
to	over	over	over	over	over		
6	6 to 10	10 to 24	30 to 60	60 to 100	100 to 150	150	
±0.10	±0.15	±0.25	±0.2	±0.3	±0.5	±0.7 ± 1.0 0.05/0	



1	K4	C0410	H62	SnCe	
ITEM	NAME OF PART	NC. OF PART	Q'TY	MATERIAL	NOTES
MM (LINE) INFO: YHG TOLERANCES EXCEPT AS NOTED: CHK BY DATE: 11/11/08 MFD DATE: 03-2009 APPR: Haug DATE: 03/20/09		DEGSON 宁波高正电子有限公司 DEGSON ELECTRONICS CO., LTD NAME: K4-00A (H)			
ANGLES ± 1° THIRD ANGLE PROJECTION		G.E.: FINISH: SCALE: 1:1		DRAWING NO: K4-E01 PART NO: DC NOT SCALE DRAWING	
SHEET 1			OF 1		