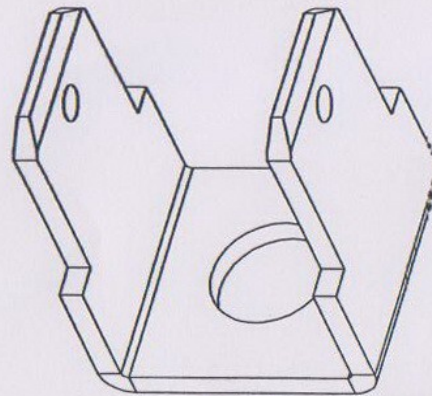
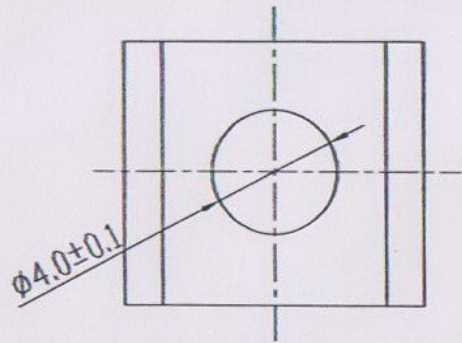
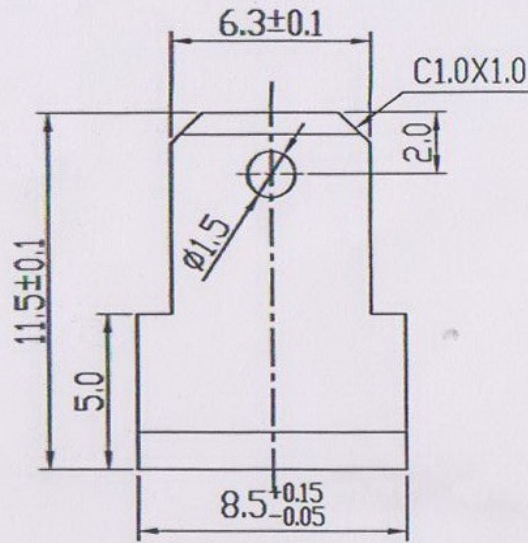
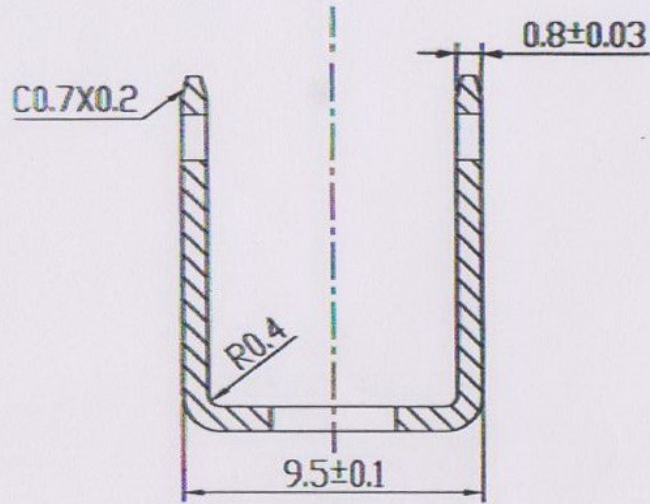


REVISION RECORD				
REV	ECD	DESCRIPTION	DRFT	DATE



Notes:

1. Material: H62 H/2, T=0.8mm;
2. Plating: Cu plated at the bottom is more than 2um; Ni plated on the surface is more than 2um; Sn plated at the bottom is more than 4um;
3. Undimensioned Tolerances:

Pitch range in mm		Nominal dimension range in mm						—
to	over	to	over	to	over	to	over	—
6	10	6	10	30	60	100	150	∩
±0.10	±0.15	±0.25	±0.2	±0.3	±0.5	±0.7	±1.0	□



1	K1	C0110	H62	SnCe	
ITEM	NAME OF PART	NO. OF PART	Q'TY	MATERIAL	NOTES
TOLERANCES EXCEPT AS NOTED: MM ± .1 .005 ± .005 .001 ± .001		DATE 11/11/08 DATE 03/21/09 DATE 10/23/09	宁波高正电子有限公司 DEGSON ELECTRONICS CO., LTD		
ANGLES ± 1° FINISH:		NAME K1-00A (H)		DRAWING NO. K1-E01 /PART NO.	
THIRD ANGLE PROJECTION SCALE: 1:1		DD NOT SCALE DRAWING		SHEET 1 OF 1	