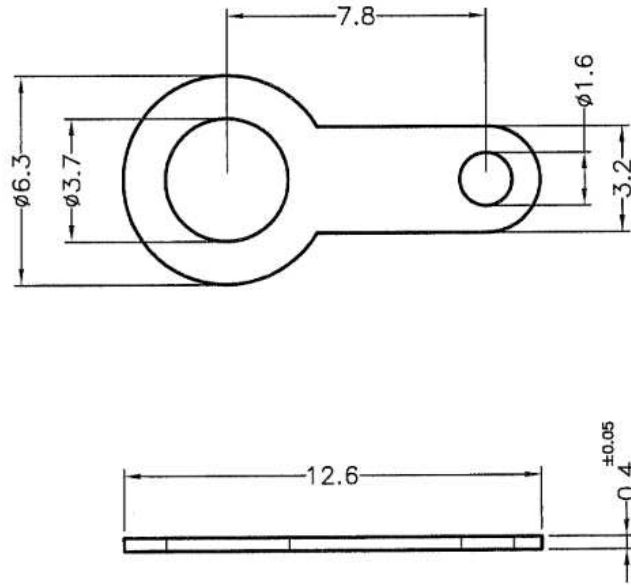
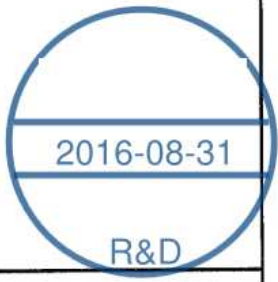


REVISIONS			
REV	DESCRIPTION	DATE	BY



康揚符合歐盟ROHS規範 (K. Y. Accord EU RoHS Compliant)	
★鉛Pb	<1000PPM
★鎘Cd	< 100PPM
★汞Hg	<1000PPM
★六價鉻Cr6+	<1000PPM
★多溴聯苯類PBBs	<1000PPM
★多溴聯苯醚類PBDEs	<1000PPM



PART NUMBER GND-21		DRAWING NUMBER GND-21		TITLE GROUND TERMINAL		
				MATERIAL BRASS		DATE 2003.06.06
				FINISH TIN PLATED		DRAWN
				COLOR		CHECK
SIZE A4	SCALE 5:1	UNIT mm	REV A	UNLESS OTHERWISE SPECIFIED TOLERANCE ±0.2		
				APPROVED <i>Kang</i>		