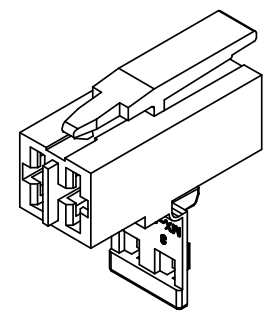
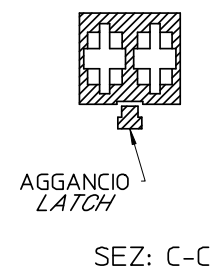


CONFIGURAZIONE POLARIZZAZIONI  
POLARIZATION CONFIGURATION

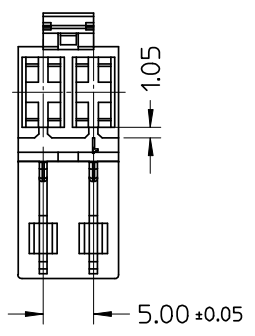
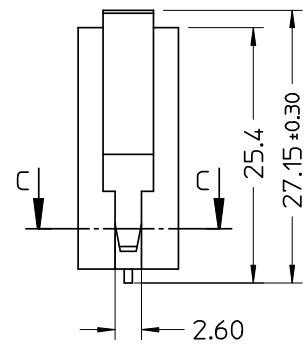
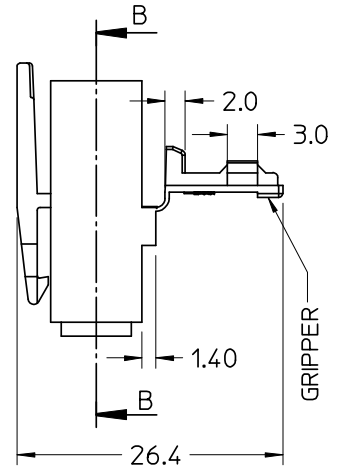
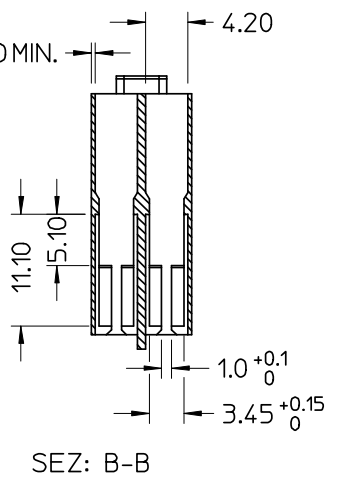
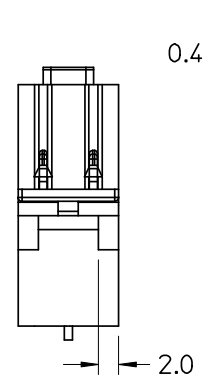


NOTE:  
 - USATO CON TERMINALI 94518-0XXX E 94549-0XXX  
 - SPECIFICA DI RIFERIMENTO PER IL CONNETTORE PS-94550-001  
 - PER CARATTERISTICHE DI CRIMPATURA RIF. SD-94518-005 E SD-94549-001  
 - FORZA DI DISACCOPIAMENTO CONNETTORE (TRAZIONANDO DAI CAVI SENZA AZIONARE L'AGGANCIO): 40 N MIN.  
 - SPESSORE MINIMO PARETI CONNETTORE 0.40 mm.

NOTE:  
 - USED WITH TERMINALS 94518-0XXX AND 94549-0XXX  
 - REFER TO PS-94550-001 FOR CONNECTOR SPECIFICATION  
 - REFER TO SD-94518-005 AND SD-94549-001 FOR CRIMPING CHARACTERISTICS  
 - CONNECTOR DISENGAGEMENT FORCE (PULLING BY THE WIRES, WITHOUT ACTUATING THE LATCH): 40 N MIN.  
 - MINIMUM CONNECTOR WALL THICKNESS 0.40 mm

CONFEZIONE: Box da 3500 Pz.  
 PACKAGING: 3500 pcs in carton box

P/N	MATERIAL/COLOR
94550-8202	NYLON 6.6 V2 NATURAL
94550-4202	NYLON 6.6 GWT 750 °C sec.IEC 60335-1 TEST METHOD IEC 60695-2-11 NATURAL



SPQ =3500

Std. Descr: "HSG W/SEC LOCK AND EXT LATCH 2 CKT \_\_\_\_\_ COLOR"

EC NO: Z2006-0211 DRWN: FGOTTARD 2006/06/05 CHKD: RSANDANO 2006/06/05 APPR: GZUIN 2006/06/07	QUALITY SYMBOLS	GENERAL TOLERANCES (UNLESS SPECIFIED)	SCALE 2:1	DESIGN UNITS METRIC	FIRST ANGLE PROJECTION	REVISE ON CAD ONLY															
	DESCRIPTION ▲ = 0 ▽ = 0	<table border="1"> <tr> <th></th> <th>mm</th> <th>INCH</th> </tr> <tr> <td>4 PLACES</td> <td>± ---</td> <td>± ---</td> </tr> <tr> <td>3 PLACES</td> <td>± ---</td> <td>± ---</td> </tr> <tr> <td>2 PLACES</td> <td>± 0.10</td> <td>± ---</td> </tr> <tr> <td>1 PLACE</td> <td>± 0.2</td> <td>± ---</td> </tr> </table>		mm	INCH	4 PLACES	± ---	± ---	3 PLACES	± ---	± ---	2 PLACES	± 0.10	± ---	1 PLACE	± 0.2	± ---	DIMENSION STYLE MM ONLY	TITLE HSG 2 CKT WITH SEC. LOCK AND EXTERNAL LATCH		
			mm	INCH																	
		4 PLACES	± ---	± ---																	
3 PLACES	± ---	± ---																			
2 PLACES	± 0.10	± ---																			
1 PLACE	± 0.2	± ---																			
ANGULAR ± 2 °	DRAWN BY DATE FGOTTARD 2004/03/08																				
DRAFT WHERE APPLICABLE	CHECKED BY DATE RSANDANO 2004/03/08																				
MUST REMAIN WITHIN DIMENSIONS	APPROVED BY DATE GZUIN 2004/03/08																				
		THIS DRAWING CONTAINS INFORMATION THAT IS PROPRIETARY TO MOLEX INCORPORATED AND SHOULD NOT BE USED WITHOUT WRITTEN PERMISSION																			