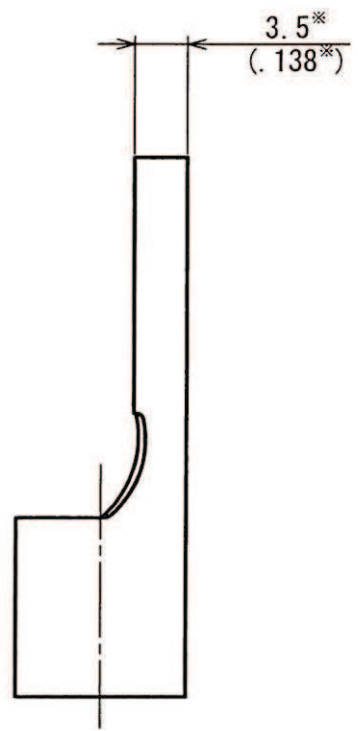
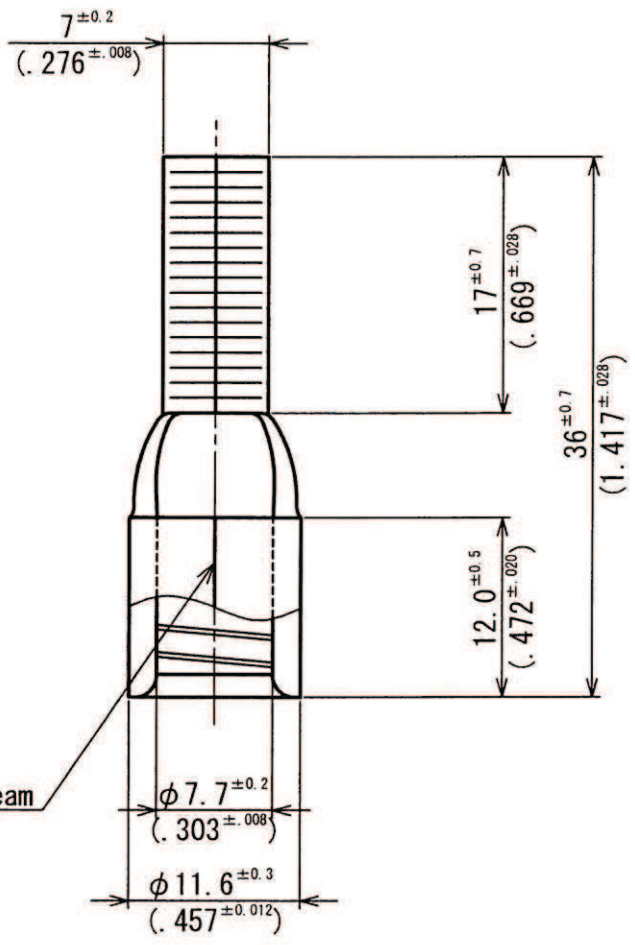
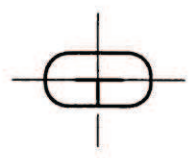


No.	Date	Revision Record	Drawn	Check
-----	------	-----------------	-------	-------



Note  
 1. Inch Dimension Shown in ( ).  
 2. \* Reference Dimension.

		Copper	t=1.72		Tin Plated	4 AWG 16.78~26.66mm	
No.	Parts Name	Material	Thick	Q'ty	Treatment	Wire Size	
Messrs.				Part Number	BTC 25		
Scale	Approved	Checked	Design	Drawn	Title	Non Insulated Blade Terminal	
2 1					Drawing No.	03-00523-00	
	Date	2016.06.13				Revision No.	0