

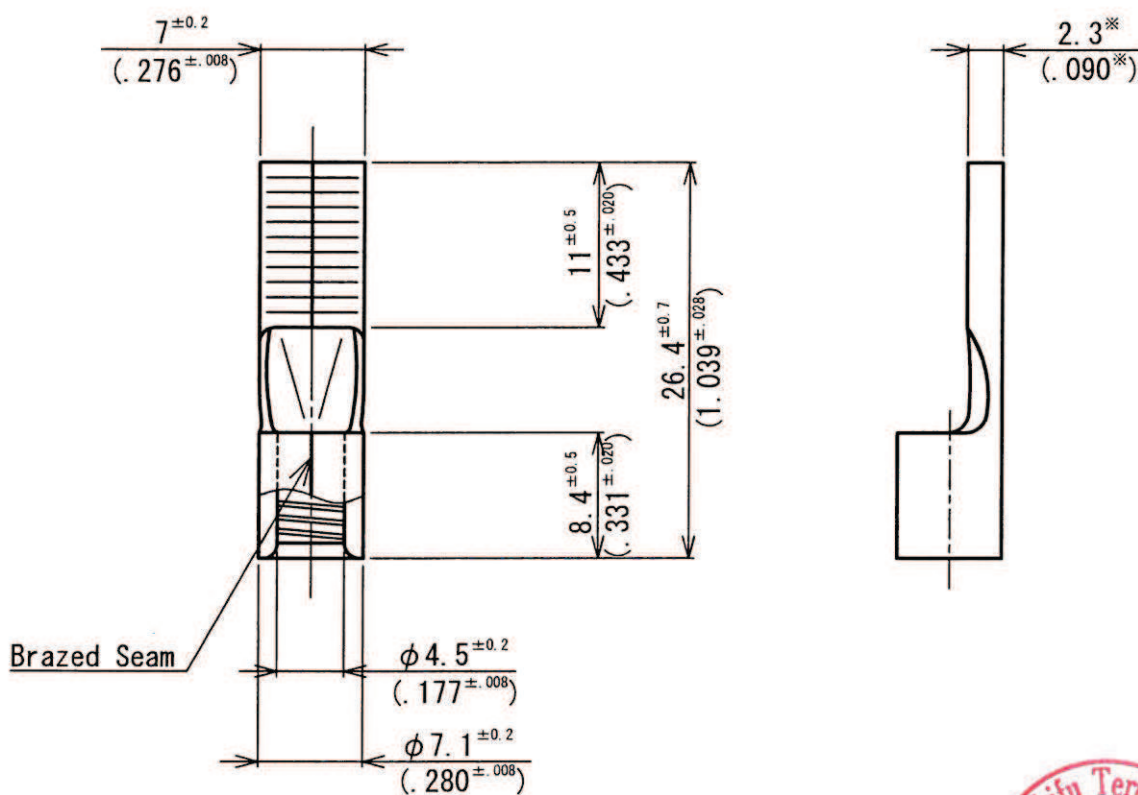
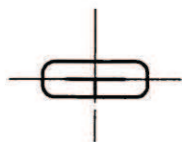
1

2

3

4

No.	Date	Revision Record	Drawn	Check
-----	------	-----------------	-------	-------



Note

1. Inch Dimension Shown in ().
2. * Reference Dimension.



		Copper	t=1.17		Tin Plated	8 AWG 6.64~10.52mm ²	
No.	Parts Name	Material	Thick	Q'ty	Treatment	Wire Size	
Messrs.				Part Number	BTC 10		
Scale	Approved	Checked		Design	Drawn	Title	Non Insulated Blade Terminal
2		H. Miyata	M. Nakazato	S. Teramoto	S. Teramoto	Drawing No.	03-00521-00
1	K. Hamada	H. Miyata	M. Nakazato	S. Teramoto	S. Teramoto	Revision No.	0
Date		2016.06.13					