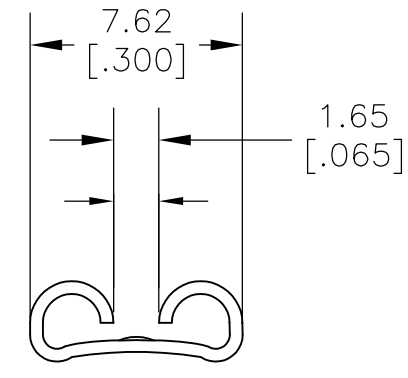
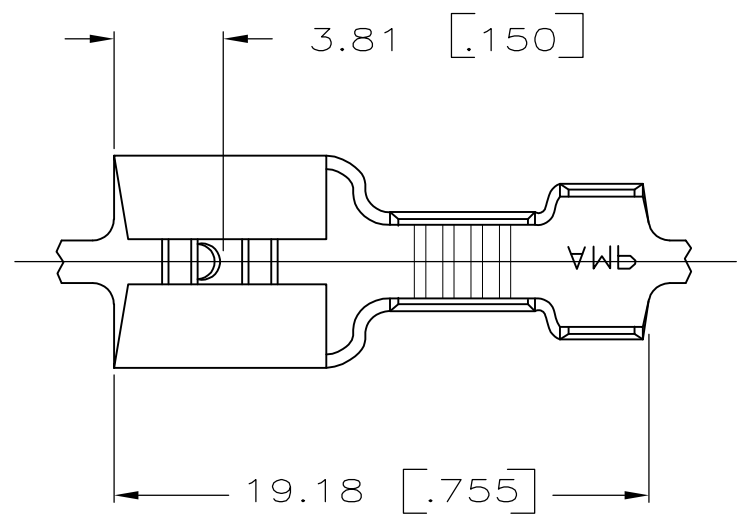
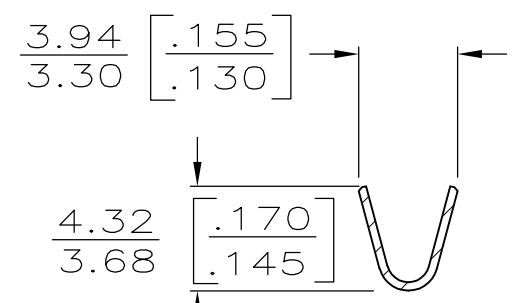
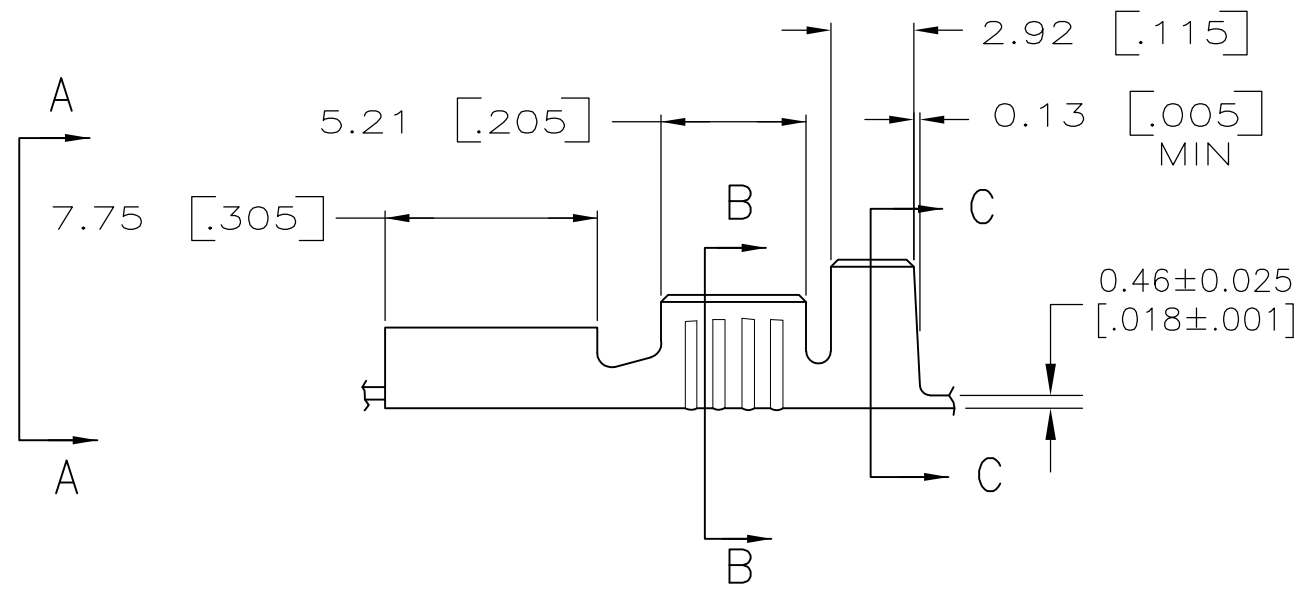


LOC	DIST	REVISIONS					
AF	50	P	LTR	DESCRIPTION	DATE	DWN	APVD
			U1	REVISED PER ECR-14-000489	11MAR2014	KB	RP

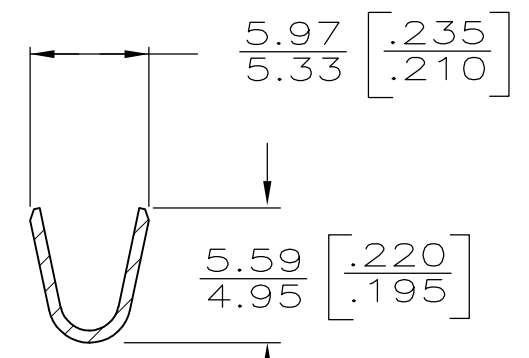
- 1 DIM'S IN BRACKETS ARE IN INCHES
- 2 CONTINUOUS STRIP ON REELS
- 3 WIRE SIZE 0.8-2.0mm [#18-#14] AWG
- 4 INSULATION RANGE IS 3.05-4.32 [.120-.170] DIA.
- 5 MATING TAB THK IS 0.81±0.025 [.032±.001].
- 6  $0.38 \times 15^\circ$  [.015 X 15°] SWAGE ON FRONT OF RECEPTACLE. FOR FOREIGN PRODUCTION ONLY.



VIEW A-A



SECT B-B



SECT C-C

TIN	BRASS	$\triangle 6$ 41274-1
TIN	BRASS	41274
FINISH	MATERIAL	PART NO.

F OR O	4.57 [.180]	6.4 [.252]	F	3.05 [.120]	1.90 [.075]	2.0mm [.14]
					1.68 [.066]	1.3mm [.16]
					1.55 [.06]	0.8mm [.18]
TYPE	WIDTH	STRIP LENGTH ±.015	TYPE	WIDTH	±.051 [±.002] HEIGHT	WIRE
INSUL BARREL CRIMP			WIRE BARREL CRIMP			

THIS DRAWING IS A CONTROLLED DOCUMENT.

DIMENSIONS:	TOLERANCES UNLESS OTHERWISE SPECIFIED:
mm [INCHES]	
	0 PLC ± -
	1 PLC ± -
	2 PLC ± -
	3 PLC ± 0.38 [.015]
	4 PLC ± -
	ANGLES ± -
MATERIAL	FINISH
BRASS	TIN

DWN	JR RUTH	2/5/86	TE Connectivity		
CHK	G YETTER	2/5/86			
APVD	R KUZO	2/5/86			
PRODUCT SPEC	NAME				
APPLICATION SPEC	.250 SERIES FASTON RECEPTACLE				
WEIGHT	-	SIZE	CAGE CODE	DRAWING NO	RESTRICTED TO
CUSTOMER DRAWING	-	A3	00779	C-41274	-
		SCALE	4:1	SHEET	1 OF 1
				REV	U1