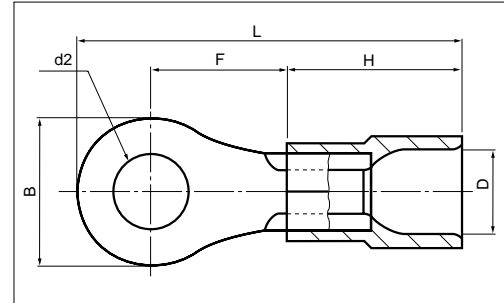


INSULATED RING TERMINALS (R TYPE)



JIS C 2805

TME(RING)



TMEV : Vinyl
TMEN : Nylon

PART NUMBER	DIMENSIONS mm						WIRE RANGE		TOOL No.		STD QTY/BOX
	d2	B	L	F	H	D	STRANDED mm ²	AWG	HAND TOOL No.	TOOL BODY No.	
TMEV TMEN 0.3-2 [HS] ○	2.2	5.2	17.5	4.9	10.0	3.2	0.2-0.5 0.3-0.5 UL·CSA USE	24-20 22-20 UL·CSA USE	NH 5		1,000 V 100×10 N 1,000×1
0.3-3 [HS] ○	3.2		19.8	7.2					NH 32		
0.3-3N [HS] ○	3.2	6.6	20.5	7.2	10.0	3.2	0.2-0.5 0.3-0.5 UL·CSA USE	24-20 22-20 UL·CSA USE	NH 60		1,000 V 100×10 N 1,000×1
0.3-3.5 [HS] ○	3.7		7.2	NA 10 N10 10							
0.3-4 [HS] ○	4.3	8.0	21.0	7.0	10.0	3.2	0.2-0.5 0.3-0.5 UL·CSA USE	24-20 22-20 UL·CSA USE	NA 3 N3 5		1,000 V 100×10 N 1,000×1
0.3-5 [HS] ○	5.3		7.0	NA 10 N3 5							
TMEV TMEN 1.25-2 [HS] ○	2.2	5.5	17.5	4.75	10.0	4.1	0.3 , 1.65	22-16	NH 11		1,000 V 100×10 N 1,000×1
1.25-2S ○	2.2	5.7	17.4	4.55					NH 32		
1.25-3(RB _{1/2} 1.25-3) [HS] ●	3.2	5.5	17.5	4.75	10.0	4.1	0.3 , 1.65	22-16	NH 11		1,000 V 100×10 N 1,000×1
1.25-3N [HS] ○	3.2	5.6	20.4	7.6					NH 32		
1.25-3S [HS] ○	3.2	5.7	17.4	4.55	10.0	4.1	0.3 , 1.65	22-16	NH 11		1,000 V 100×10 N 1,000×1
1.25-3.5N [HS] ○	3.7	5.6	20.4	7.6					NH 32		
1.25-3.5S [HS] ○	3.7	5.7	17.4	4.55	10.0	4.1	0.3 , 1.65	22-16	NH 11		1,000 V 100×10 N 1,000×1
1.25-3.5M [HS] ○	3.7	6.6	18.8	5.5					NH 32		
1.25-3.5L [HS] ○	3.7	6.8	19.4	6.0	10.0	4.1	0.3 , 1.65	22-16	NH 11		1,000 V 100×10 N 1,000×1
1.25-4M [HS] ○	4.3	8.0	21.1	7.1					NH 32		
1.25-4(RB _{1/2} 1.25-4) [HS] ●	4.3	8.0	21.1	7.1	10.0	4.1	0.3 , 1.65	22-16	NH 11		1,000 V 100×10 N 1,000×1
1.25-5(RB _{1/2} 1.25-5) [HS] ●	5.3	8.0	21.1	7.1					NH 32		
1.25-6 [HS] ○	6.4	12.0	25.7	9.7	10.0	4.1	0.3 , 1.65	22-16	NH 11		1,000 V 100×10 N 1,000×1
1.25-8 [HS] ○	8.4	12.0	25.7	9.7					NH 32		
1.25-10 ○	10.5	16.5	30.5	12.25	10.0	4.1	0.3 , 1.65	22-16	NA 10 N10 11		1,000 V 100×10 N 1,000×1
2-2 ○	2.2	6.5	18.2	4.95					N3 11		
TMEV TMEN 2-3N ○	3.2	5.6	20.4	7.6	10.0	4.5	1.04 , 2.63	16-14	NH 12		1,000 V 100×10 N 1,000×1
2-3S [HS] ○	3.2	5.7	17.8	4.95					NH 32		
2-3 [HS] ○	3.2	6.5	18.2	4.95	10.0	4.5	1.04 , 2.63	16-14	NH 12		1,000 V 100×10 N 1,000×1
2-3.5N ○	3.7	5.6	20.4	7.6					NH 32		
2-3.5NS [HS] ○	3.7	6.5	18.2	4.95	10.0	4.5	1.04 , 2.63	16-14	NH 12		1,000 V 100×10 N 1,000×1
2-3.5(RB _{1/2} 2-3.5) [HS] ●	3.7	6.6	19.9	6.6					NH 32		
2-3.5S ○	3.7	6.6	20.9	7.6	10.0	4.5	1.04 , 2.63	16-14	NH 12		1,000 V 100×10 N 1,000×1
2-3.5M [HS] ○	3.7	8.0	21.5	7.5					NH 32		
2-4S [HS] ○	4.3	6.6	19.9	6.6	10.0	4.5	1.04 , 2.63	16-14	NH 12		1,000 V 100×10 N 1,000×1
2-4M [HS] ○	4.3	8.0	21.5	7.5					NH 32		
2-4(RB _{1/2} 2-4) [HS] ●	4.3	8.5	22.0	7.75	10.0	4.5	1.04 , 2.63	16-14	NH 12		1,000 V 100×10 N 1,000×1
2-5M [HS] ○	5.3	8.0	21.5	7.5					NH 32		
2-5(RB _{1/2} 2-5) [HS] ●	5.3	9.5	22.5	7.75	10.0	4.5	1.04 , 2.63	16-14	NH 12		1,000 V 100×10 N 1,000×1
2-6(RB _{1/2} 2-6) [HS] ●	6.4	12.0	27.0	11.0					NH 32		
2-8(RB _{1/2} 2-8) [HS] ●	8.4	12.0	27.0	11.0	10.0	4.5	1.04 , 2.63	16-14	NH 12		1,000 V 100×10 N 1,000×1
2-10 ○	10.5	15.0	30.0	12.5					N3 12		
2-12 ○	13.0	19.0	34.0	14.5	10.0	4.5	1.04 , 2.63	16-14	NA 10 N10 12		1,000 V 100×10 N 1,000×1

NOTE

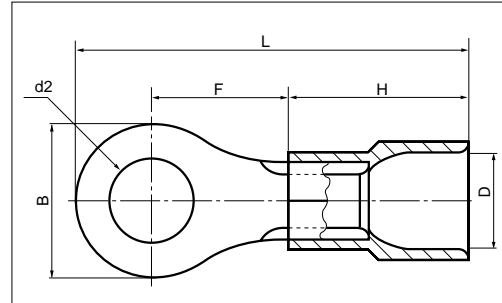
- 1) ●: JIS/UL/CSA ○: UL/CSA [HS]: HS terminal
- 2) Refer to page 31 for UL/CSA, insulator material/color, proper strip length of wire and Nylon insulated products.
- 3) JIS part No. is shown in parenthesis.

INSULATED RING TERMINALS (R TYPE)



JIS C 2805

TME(RING)



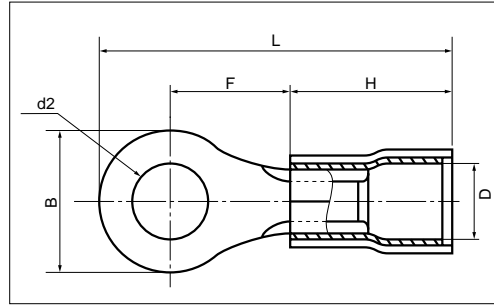
TMEV : Vinyl
TMEN : Nylon

PART NUMBER	DIMENSIONS mm						WIRE RANGE		TOOL No.		STD QTY/BOX
	d2	B	L	F	H	D	STRANDED mm ²	AWG	HAND TOOL No.	TOOL BODY No.	
TMEV TMEN	3.5-4 [HS] ○	4.3	8.0	26.0	8.0	14.0	2.63 4.6	12	NH 13		100 V · N 100 × 1
	3.5-5S [HS] ○	5.3	9.6	28.0	9.2						
	3.5-5L [HS] ○		12.0	29.4	9.4						
	3.5-6L [HS] ○	6.4		13.5	33.5				12.75	NA 10	
	3.5-8 [HS] ○	8.4	N3 13								
TMEV TMEN	5.5-3M ○	3.2	6.5	24.45	7.2	14.0	2.63 6.64	12-10	NH 13		100 V · N 100 × 1
	5.5-3N ○		7.0	24.7							
	5.5-3S [HS] ○		9.0	25.7							
	5.5-3.5N ○	3.7	7.0	24.7	7.2						
	5.5-3.5S [HS] ○		9.0	25.7							
	5.5-3.5 [HS] ○	4.3	9.5	27.0	8.25						
	5.5-4N ○		7.0	24.7	7.2						
	5.5-4S [HS] ○		9.0	25.7	8.25						
	5.5-4 (RB) 5.5-4 [HS] ●	5.3	9.5	27.0	8.25						
	5.5-5N ○		8.0	25.2	7.2						
	5.5-5S [HS] ○		9.0	25.7	8.25						
	5.5-5 (RB) 5.5-5 [HS] ●	6.4	12.0	30.5	10.5						
	5.5-6 (RB) 5.5-6 [HS] ●		15.0	35.5	14.0						
	5.5-8 (RB) 5.5-8 [HS] ●			8.4	40.0						
	5.5-10 (RB) 5.5-10 [HS] ●	10.5	19.2	43.0	18.0						
5.5-12 [HS] ○	13.0	NA 10		N10 13							
5.5-14 [HS] ○	15.0	NA 3	N3 13	V 50 × 1 N 100 × 1							

NOTE

- 1) ● : JIS/UL/CSA ○ : UL/CSA [HS] : HS terminal
- 2) Refer to page 31 for UL/CSA, insulator material/color, proper strip length of wire and Nylon insulated products.
- 3) JIS part No. is shown in parenthesis.

INSULATED RING TERMINALS WITH EXTRA COPPER SLEEVE (R TYPE)



TMDV : Vinyl
TMDN : Nylon

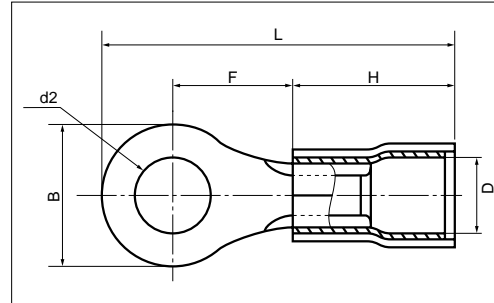
B

PART NUMBER	DIMENSIONS mm						WIRE RANGE		TOOL No.		STD QTY/BOX
	d2	B	L	F	H	D	STRANDED mm ²	AWG	HAND TOOL No.		
TMDN	0.3-2 [HS]	2.2	5.2	17.5	4.9	10.0	2.9	0.2-0.5	24-20	NH 5 NH 32 NH 60	1,000 N 1,000 x 1
	0.3-3 [HS]	3.2		19.8	7.2						
	0.3-3N [HS]		3.7	20.5							
	0.3-3.5 [HS]	4.3		6.6	21.0						
	0.3-4 [HS]	5.3	8.0								
	TMDV	1.25-2 [HS] ○	2.2	5.5	17.5						
1.25-2S ○		5.7		17.4	4.55						
1.25-3 [HS] ○		3.2	5.5	17.5	4.75						
1.25-3N [HS] ○			5.6	20.4	7.6						
1.25-3S [HS] ○		3.7	5.7	17.4	4.55						
1.25-3.5N [HS] ○			5.6	20.4	7.6						
1.25-3.5S [HS] ○		4.3	5.7	17.4	4.55						
1.25-3.5 [HS] ○			6.6	18.8	5.5						
1.25-3.5M [HS] ○		5.3	6.8	19.4	6.0						
1.25-3.5L [HS] ○			8.0	21.1	7.1						
1.25-4M [HS] ○		6.4	6.6	19.4	6.0						
1.25-4 [HS] ○			8.0	21.1	7.1						
1.25-5 [HS] ○		8.4	12.0	25.7	9.7						
1.25-6 [HS] ○											
1.25-8 [HS] ○		10.5	16.5	30.5	12.25						
1.25-10 ○											
TMDV	2-2 ○	2.2	6.5	18.2	4.95	10.0	4.3	1.04 ' 2.63	16-14	NH 12 NH 32	1,000 V 100 x 10
	2-3N ○		3.2	5.6	20.4						
	2-3S [HS] ○	3.7		5.7	17.8						
	2-3 [HS] ○		6.5	18.2	7.6						
	2-3.5N ○	4.3	5.6	20.4	7.6						
	2-3.5NS [HS] ○		6.5	18.2	4.95						
	2-3.5 [HS] ○	5.3	6.6	19.9	6.6						
	2-3.5S ○		6.6	20.9	7.6						
	2-3.5M [HS] ○	6.4	8.0	21.5	7.5						
	2-4S [HS] ○		8.4	6.6	19.9						
	2-4 [HS] ○	10.5		8.5	22.0						
	2-4M [HS] ○		13.0	8.0	21.5						
	2-5M [HS] ○	19.0		9.5	22.5						
	2-5 [HS] ○		34.0	6.4	12.0						
	2-6 [HS] ○	15.0		8.4	27.0						
2-8 [HS] ○	30.0		10.5	15.0	12.5						
2-10 ○		34.0	13.0	19.0	14.5						
2-12 ○											

NOTE

- : UL/CSA [HS] : HS terminal
- Refer to page 31 for UL/CSA, proper strip length of wire and Nylon insulated products.
- TMDEN Type is also available, see page 32.

INSULATED RING TERMINALS WITH EXTRA COPPER SLEEVE (R TYPE)



B

TMDV : Vinyl

PART NUMBER	DIMENSIONS mm						WIRE RANGE		TOOL No.		STD QTY/BOX
	d2	B	L	F	H	D	STRANDED mm ²	AWG	HAND TOOL No. TOOL BODY No. DIES No.		
5.5-3M ○	3.2	6.5	24.45	7.2	14.0	6.0	2.63 6.64	12-10	NH 13	100 V 100 x 1	
5.5-3N ○		7.0	24.7								
5.5-3S [HS] ○		9.0	25.7								
5.5-3.5N ○	3.7	7.0	24.7								
5.5-3.5S [HS] ○		9.0	25.7								
5.5-3.5 [HS] ○		9.5	27.0	8.25							
5.5-4N ○	4.3	7.0	24.7	7.2							
5.5-4S [HS] ○		9.0	25.7								
TMDV 5.5-4 [HS] ○		9.5	27.0								8.25
5.5-5N ○	5.3	8.0	25.2	7.2							
5.5-5S [HS] ○		9.0	25.7								
5.5-5 [HS] ○		9.5	27.0								8.25
5.5-6 [HS] ○	6.4	12.0	30.5	10.5							
5.5-8 [HS] ○	8.4	15.0	35.5	14.0							
5.5-10 [HS] ○	10.5										
5.5-12 [HS] ○	13.0		40.0	16.4							
5.5-14 [HS] ○	15.0	19.2	43.0	18.0							

NOTE

- : UL/CSA [HS] : HS terminal
- Refer to page 31 for UL/CSA, proper strip length of wire and Nylon insulated products.
- TMDEN Type is also available, see page 32.