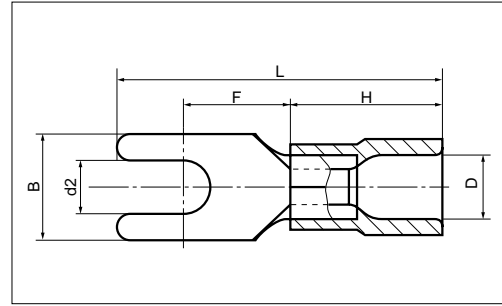


INSULATED SPADE TERMINALS (Y TYPE)



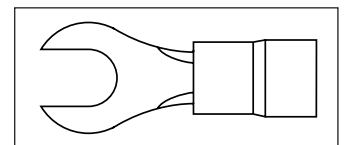
TME (SPADE)



TMEV : Vinyl
TMEN : Nylon

PART NUMBER	DIMENSIONS mm						WIRE RANGE		TOOL No.		STD QTY/BOX
	d2	B	L	F	H	D	STRANDED mm ²	AWG	HAND TOOL No.	TOOL BODY No. DIES No.	
TMEV TMEN	0.3Y-2 [HS] ○	2.2	5.2	17.5	4.9	10.0	3.2	0.2-0.5 0.3-0.5 UL: CSA USE	24-20 22-20 UL: CSA USE	NH 5 NH 32 NH 60	1,000 V 100 x 10 N 1,000 x 1
	0.3Y-3 [HS] ○	3.2									
	0.3Y-3.5N [HS] ○	3.7	20.5	5.8							
	0.3Y-4N [HS] ○	4.3			6.4						
	0.3Y-5 [HS] ○	5.3	8.0	21.0	7.0						
TMEV TMEN	1.25Y-2.5 [HS] ○	2.7	4.7	17.2	5.1	10.0	4.1	0.3 1.65	22-16	NH 11 NH 32	1,000 V 100 x 10 N 1,000 x 1
	1.25Y-3K [HS] ○	3.2	5.6	20.5	5.8						
	1.25Y-3S [HS] ○		5.7	17.4	4.8						
	1.25Y-3 [HS] ○	3.7	5.8	20.5	5.8						
	1.25Y-3N [HS] ○			21.5	6.6						
	1.25Y-3.5K [HS] ○	4.3	6.4	21.9	7.6						
	1.25Y-3.5 [HS] ○										
	1.25Y-3L [HS] ○	4.3	7.0	21.9	7.6						
	1.25Y-4N [HS] ○										
	1.25Y-4S [HS] ○	5.3	9.6	23.0	8.3						
	1.25Y-4M [HS] ○										
	1.25Y-4L [HS] ○	6.4	11.0	24.5	8.6						
1.25Y-5 [HS] ○	9.6					23.0	8.3				
1.25Y-6 [HS] ○	6.4	11.0	24.5	8.6							
TMEV TMEN	2Y-3 [HS] ○	3.2	5.9	21.3	6.6	10.0	4.5	1.04 2.63	16-14	NH 12 NH 32	1,000 V 100 x 10 N 1,000 x 1
	2Y-3.5S [HS] ○	3.7	5.8								
	2Y-3.5 [HS] ○		4.3	6.4	21.5						
	2Y-3.5L [HS] ○	7.0									
	2Y-4N [HS] ○	5.3	10.0	22.6	8.7						
	2Y-4S [HS] ○										
	2Y-4 [HS] ○	6.4	12.0	23.5	8.5						
	2Y-4M [HS] ○										
	2Y-5 [HS] ○	8.4	14.0	27.5	11.5						
	2Y-5M [HS] ○										
	2Y-5L [HS] ○	8.4	14.0	27.5	11.5						
	2Y-6 [HS] ○										
2Y-8 ○	8.4	14.0	27.5	11.5							
TMEV TMEN	3.5Y-4 [HS] ○	4.3	8.0	26.0	7.2	14.0	6.3	2.63 4.6	12	NH 13 NA 10 N10 13 NA 3 N3 13	100 V · N 100 x 1
	3.5Y-5 [HS] ○	5.3	9.5	28.0	8.3						
	3.5Y-6 [HS] ○	6.4	12.0	30.0	9.8						
TMEV TMEN	5.5Y-4S [HS] ○	4.3	8.4	25.7	7.2	14.0	6.8	2.63 6.64	12-10	NH 13 NA 10 N10 13 NA 3 N3 13	100 V · N 100 x 1
	5.5Y-4 [HS] ○										
	5.5Y-5 [HS] ○	5.2	9.0								
	5.5Y-6 [HS] ○	6.4	12.5	32.7	12.0						

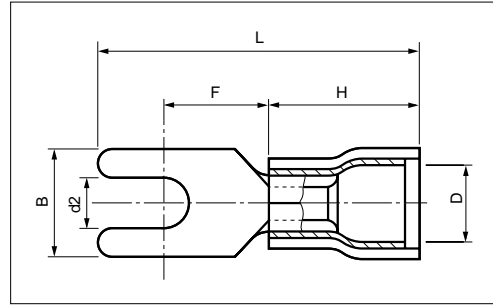
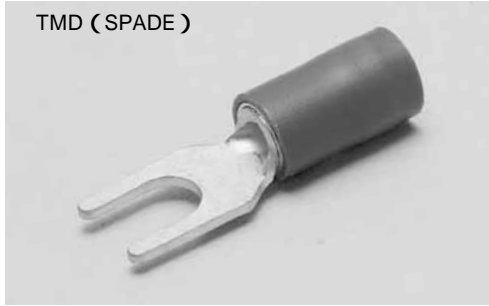
- : UL/CSA [HS] : HS terminal
- Refer to page 31 for UL/CSA, insulator material/color, proper strip length of wire and Nylon insulated products.
- Tongue shape of 1.25Y-3S is shown right.



INSULATED SPADE TERMINALS WITH EXTRA COPPER SLEEVE (Y TYPE)



TMD (SPADE)



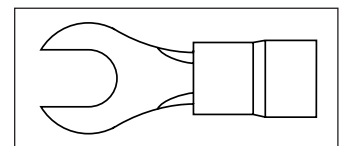
B

TMDV : Vinyl
TMDN : Nylon

PART NUMBER	DIMENSIONS mm						WIRE RANGE		TOOL No.		STD QTY/BOX
	d2	B	L	F	H	D	STRANDED mm ²	AWG	HAND TOOL No. TOOL BODY No. DIES No.		
TMDN	0.3Y-2 [HS]	2.2	5.2	17.5	4.9	10.0	2.9	0.2 - 0.5	24-20	NH 5 NH 32 NH 60	1,000 N 1,000 x 1
	0.3Y-3 [HS]	3.2		20.5	5.8						
	0.3Y-3.5N [HS]	3.7	6.4								
	0.3Y-4N [HS]	4.3	6.4								
	0.3Y-5 [HS]	5.3	8.0	21.0	7.0						
TMDV	1.25Y-2.5 [HS] ○	2.7	4.7	17.2	5.1	10.0	3.6	0.3 , 1.65	22-16	NH 11 NH 32	1,000 V 100 x 10
	1.25Y-3K [HS] ○	3.2	5.6	20.5	5.8						
	1.25Y-3S [HS] ○		5.7	17.9	4.8						
	1.25Y-3 [HS] ○		5.8	20.5	5.8						
	1.25Y-3N [HS] ○	6.6									
	1.25Y-3.5K [HS] ○	3.7	5.6	21.5	6.8						
	1.25Y-3.5 [HS] ○		5.8		5.8						
	1.25Y-3L [HS] ○	4.3	6.2	21.5	6.8						
	1.25Y-4N [HS] ○		6.4	21.9	6.6						
	1.25Y-4S [HS] ○		7.0		7.6						
	1.25Y-4M [HS] ○	4.3	8.1	23.0	7.5						
	1.25Y-4L [HS] ○		9.6		8.3						
	1.25Y-5 [HS] ○	5.3	11.0	24.5	8.6						
1.25Y-6 [HS] ○	6.4										
TMDV	2Y-3 [HS] ○	3.2	5.9	21.3	6.6	10.0	4.3	1.04 , 2.63	16-14	NH 12 NH 32	1,000 V 100 x 10
	2Y-3.5S [HS] ○	3.7	5.8		6.6						
	2Y-3.5 [HS] ○		6.4		7.6						
	2Y-3.5L [HS] ○	4.3	7.0	21.5	7.0						
	2Y-4N [HS] ○				8.0						
	2Y-4S [HS] ○		10.0	8.7							
	2Y-4M [HS] ○	5.3	8.0	21.5	7.1						
	2Y-5 [HS] ○		10.0	8.7							
	2Y-5M [HS] ○	5.3	12.0	23.5	8.5						
	2Y-5L [HS] ○				8.5						
	2Y-6 [HS] ○	6.4	25.5	8.6							
	2Y-8 ○	8.4	14.0	27.5	11.5						
TMDV	5.5Y-4S [HS] ○	4.3	8.4	25.7	7.2	14.0	6.0	2.63 , 6.64	12-10	NH 13	100 V 100 x 1
	5.5Y-4 [HS] ○		9.0								
	5.5Y-5 [HS] ○	5.2	9.0								
	5.5Y-6 [HS]	6.4	12.5	32.7	12.0						

NOTE

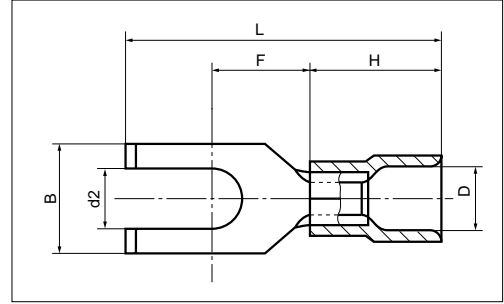
- : UL/CSA [HS] : HS terminal
- Refer to page 31 for UL/CSA, proper strip length of wire and Nylon insulated products.
- TMDEN Type is also available, see page 32.
- Tongue shape of 1.25Y-3S is shown right.



INSULATED SPADE TERMINALS (Y TYPE)



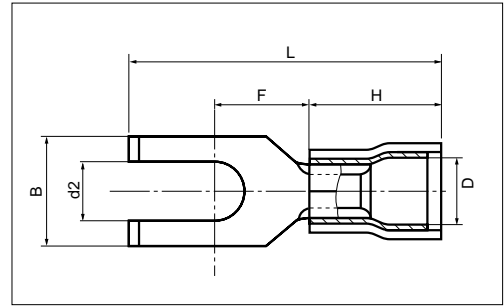
TME (FLANGE)



TMEV : Vinyl
TMEN : Nylon

PART NUMBER	DIMENSIONS mm						WIRE RANGE		TOOL No.		STD QTY/BOX	
	d2	B	L	F	H	D	STRANDED mm ²	AWG	HAND TOOL No.	TOOL BODY No.		DIES No.
TMEV 1.25Y-3W HS ○	3.7	7.7	19.5	5.6	10.0	4.1	0.3	22-16	NH 11	NA 10	N10 11	1,000
TMEN 1.25Y-4W HS ○	4.3						V		100 x 10			
1.25Y-5W ○	5.3						N		1,000 x 1			
TMEV 2Y-3W ○	3.7	8.0	24.0	7.3	10.0	4.5	1.04	16-14	NH 12	NA 3	N3 12	1,000
TMEN 2Y-4W ○	4.3						V		100 x 10			
2Y-5W ○	5.3						N		1,000 x 1			

TMD (FLANGE)



TMDV : Vinyl

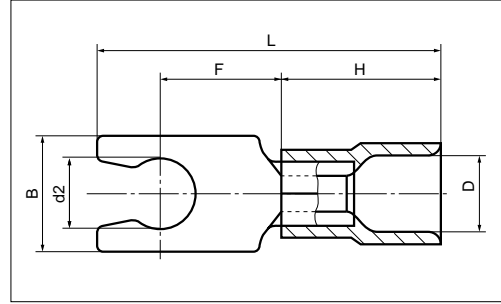
PART NUMBER	DIMENSIONS mm						WIRE RANGE		TOOL No.		STD QTY/BOX	
	d2	B	L	F	H	D	STRANDED mm ²	AWG	HAND TOOL No.	TOOL BODY No.		DIES No.
TMDV 1.25Y-3W HS ○	3.7	7.7	19.5	5.6	10.0	3.6	0.3	22-16	NH 11	NA 10	N10 11	1,000
1.25Y-4W HS ○	4.3						V		100 x 10			
1.25Y-5W ○	5.3						N		1,000 x 1			
TMDV 2Y-3W ○	3.7	8.0	24.0	7.3	10.0	4.3	1.04	16-14	NH 12	NA 3	N3 12	1,000
2Y-4W ○	4.3						V		100 x 10			
2Y-5W ○	5.4						N		1,000 x 1			

NOTE

- : UL/CSA
- Refer to page 31 for UL/CSA, insulator material/color, proper strip length of wire and Nylon insulated products.
- TMDEN Type is also available, see page 32.

INSULATED SPADE TERMINALS (Y TYPE)

TME (LOCKING SPADE)



TMEV : Vinyl
TMEN : Nylon

PART NUMBER	DIMENSIONS mm						WIRE RANGE		TOOL No.		STD QTY/BOX
	d2	B	L	F	H	D	STRANDED mm ²	AWG	HAND TOOL No.	TOOL BODY No.	
TMEV 1.25LY-3S ○	3.2	6.4	19.5	6.6	10.0	4.1	0.3	22-16	NH 11		1,000
TMEV 1.25LY-3.5S ○	3.7								NH 32		V
TMEN 1.25LY-4S ○	4.3	NA 10	N10 11	100 x 1							
1.25LY-5S ○	5.3	NA 3	N3 11	N							
											1,000 x 1
TMEV 2LY-3S ○	3.2	6.4	19.5	6.6	10.0	4.5	1.04	16-14	NH 12		1,000
TMEV 2LY-3.5S ○	3.7								NH 32		V
TMEN 2LY-4S ○	4.3	NA 10	N10 12	100 x 1							
2LY-5S ○	5.3	NA 3	N3 12	N							
											1,000 x 1
TMEV 5.5LY-3.5S ○	3.7	7.9	25.7	7.6	14.0	6.8	2.63	12-10	NH 13		1,000
TMEN 5.5LY-4S ○	4.3								NH 13		V
5.5LY-5S ○	5.3								NA 10	N10 13	100 x 1
											N
											1,000 x 1

NOTE

- 1) Refer to page 31 for UL/CSA, insulator material/color, proper strip length of wire and Nylon insulated products.
- 2) TMD & TMDEN Type are also available, see page 32.