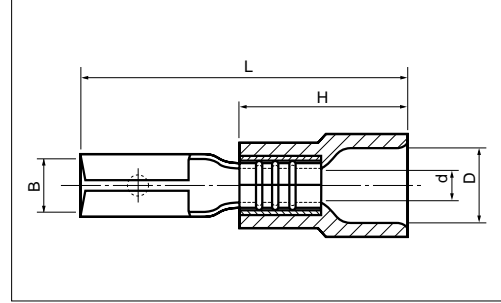


QUICK-DISCONNECTS



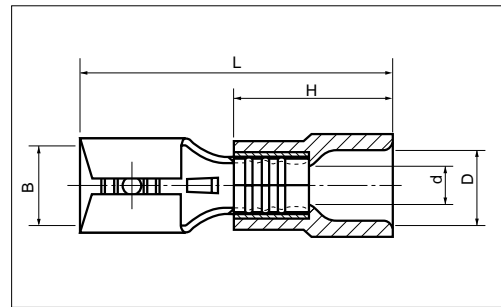
110 SERIES



TMEDV : Vinyl
TMEDN : Nylon

| PART NUMBER | DIMENSIONS mm | | | | | MATING TAB THICKNESS mm | WIRE RANGE | | TOOL No. | | STD QTY/BOX |
|------------------|---------------|------|-----|-----|------|-------------------------|--------------------------|-------|---------------|----------|---------------------|
| | B | L | d | D | H | | STRANDED mm ² | AWG | HAND TOOL No. | | |
| | | | | | | | | | TOOL BODY No. | DIES No. | |
| TMEDV 280509-F ○ | 3.2 | 19.5 | 1.8 | 4.1 | 10.0 | 0.5 | 0.75 ~ 1.25 | 18-16 | NH 11 | N10 11 | 1,000 (100 x 10) |
| TMEDN 280809-F ○ | | | | | | 0.8 | | | NA 10 | | |

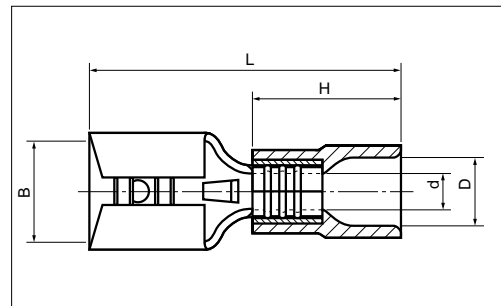
187 SERIES



TMEDV : Vinyl
TMEDN : Nylon

| PART NUMBER | DIMENSIONS mm | | | | | MATING TAB THICKNESS mm | WIRE RANGE | | TOOL No. | | STD QTY/BOX |
|------------------|---------------|------|-----|-----|------|-------------------------|--------------------------|-------|---------------|----------|---------------------|
| | B | L | d | D | H | | STRANDED mm ² | AWG | HAND TOOL No. | | |
| | | | | | | | | | TOOL BODY No. | DIES No. | |
| TMEDV 480509-F ○ | 5.0 | 19.5 | 1.8 | 4.1 | 10.0 | 0.5 | 0.75 ~ 1.25 | 18-16 | NH 11 | N10 11 | 1,000 (100 x 10) |
| TMEDN 480809-F ○ | | | | | | 0.8 | | | NA 10 | | |
| TMEDV 480520-F ○ | 5.0 | 19.5 | 2.4 | 4.5 | 10.0 | 0.5 | 2.0 | 14 | NH 12 | N10 12 | 1,000 (100 x 10) |
| TMEDN 480820-F ○ | | | | | | 0.8 | | | NA 10 | | |

250 SERIES



TMEDV : Vinyl
TMEDN : Nylon

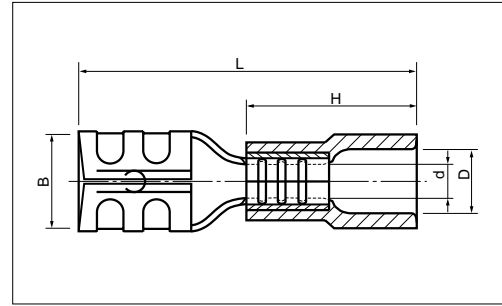
| PART NUMBER | DIMENSIONS mm | | | | | MATING TAB THICKNESS mm | WIRE RANGE | | TOOL No. | | STD QTY/BOX |
|------------------|---------------|------|-----|-----|------|-------------------------|--------------------------|-------|---------------|----------|------------------|
| | B | L | d | D | H | | STRANDED mm ² | AWG | HAND TOOL No. | | |
| | | | | | | | | | TOOL BODY No. | DIES No. | |
| TMEDV 630809-F ○ | 6.8 | 21.0 | 1.7 | 4.1 | 10.0 | 0.8 | 0.75 ~ 1.25 | 18-16 | NH 11 | N10 11 | 500 (100 x 5) |
| TMEDN 630820-F ○ | | | | | | | | | NA 10 | | |
| TMEDV 630855-F ○ | 6.8 | 25.0 | 3.5 | 6.8 | 14.0 | 0.8 | 3.5 ~ 5.5 | 12-10 | NH 13 | N10 13 | |
| TMEDN 630855-F ○ | | | | | | | 5.5 | | 10 | | |

- NOTE 1) ○ : UL/CSA
 2) Refer to page 54 for UL/CSA, proper strip length of wire and Nylon insulated products.
 3) TMD & TMDEN Type are also available, see page 32.

QUICK-DISCONNECTS



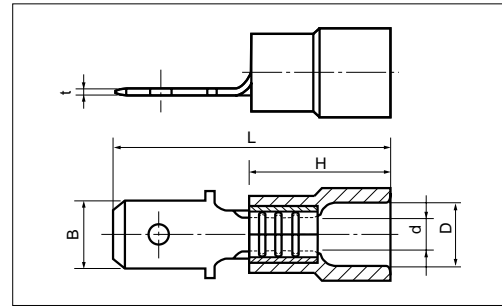
187 SERIES



TMEDV : Vniyl
TMEDN : Nylon

| PART NUMBER | DIMENSIONS mm | | | | | MATING TAB THICKNESS mm | WIRE RANGE | | TOOL No. | | STD QTY/BOX |
|--------------------------------------|---------------|------|-----|-----|------|-------------------------------|-----------------------------|-------|---------------------------------|-----------------|---------------------|
| | B | L | d | D | H | | STRANDED mm ² | AWG | HAND TOOL No. | | |
| | | | | | | | | | TOOL BODY No. | DIES No. | |
| TMEDV 480509-F03 TMEDN 480509-F03 | 5.1 | 19.5 | 1.8 | 4.1 | 10.0 | 0.5 | 0.75 ~ 1.25 | 18-16 | NH 11 NH 32 NA 10 NA 3 | N10 11 N3 11 | 1,000 (100 x 10) |
| TMEDV 480520-F03 TMEDN 480520-F03 | 5.1 | 19.5 | 2.4 | 4.5 | 10.0 | 0.5 | 2.0 | 14 | NH 12 NH 32 NA 10 NA 3 | N10 12 N3 12 | 1,000 (100 x 10) |

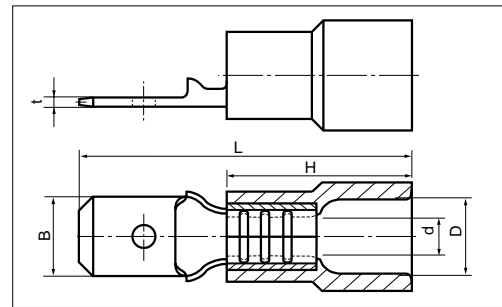
187 SERIES



TMEDV : Vinyl
TMEDN : Nylon

| PART NUMBER | DIMENSIONS mm | | | | | | WIRE RANGE | | TOOL No. | | STD QTY/BOX |
|--------------------------------------|---------------|------|-----|-----|-----|------|-----------------------------|-----|---------------------------------|-----------------|---------------------|
| | B | L | t | d | D | H | STRANDED mm ² | AWG | HAND TOOL No. | | |
| | | | | | | | | | TOOL BODY No. | DIES No. | |
| TMEDV 480520-M ○ TMEDN 480520-M ○ | 4.8 | 19.5 | 0.5 | 2.3 | 4.5 | 10.0 | 2.0 | 14 | NH 12 NH 32 NA 10 NA 3 | N10 12 N3 12 | 1,000 (100 x 10) |

250 SERIES



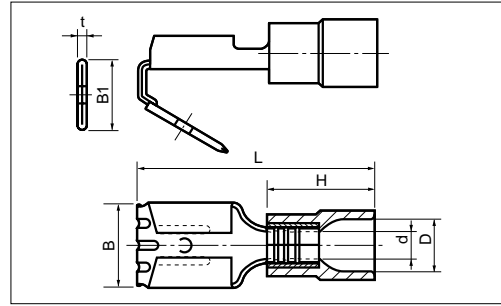
TMEDV : Vinyl
TMEDN : Nylon

| PART NUMBER | DIMENSIONS mm | | | | | | WIRE RANGE | | TOOL No. | | STD QTY/BOX |
|--------------------------------------|---------------|------|-----|------|-----|------|-----------------------------|-------------|---------------------------------|-----------------|---------------------|
| | B | L | t | d | D | H | STRANDED mm ² | AWG | HAND TOOL No. | | |
| | | | | | | | | | TOOL BODY No. | DIES No. | |
| TMEDV 630809-M ○ TMEDN 630809-M ○ | 6.35 | 21.0 | 0.8 | 1.85 | 4.1 | 10.0 | 0.75 ~ 1.25 | 18-16 | NH 11 NH 32 NA 10 NA 3 | N10 11 N3 11 | 1,000 (100 x 10) |
| TMEDV 630820-M ○ TMEDN 630820-M ○ | 6.35 | 21.0 | 0.8 | 2.55 | 4.5 | 10.0 | 2.0 | 14 | NH 12 NH 32 NA 10 NA 3 | N10 12 N3 12 | 1,000 (100 x 10) |
| TMEDV 630855-M ○ TMEDN 630855-M ○ | 6.35 | 25.0 | 0.8 | 3.65 | 6.8 | 14.0 | 3.5 ~ 5.5 5.5 | 12-10 10 | NH 13 NA 10 NA 3 | N10 13 N3 13 | 500 (100 x 5) |

- NOTE 1) ○ : UL/CSA
2) Refer to page 54 for UL/CSA, proper strip length of wire and Nylon insulated products.
3) TMD & TMDEN Type are also available, see page 32.

QUICK-DISCONNECTS

PIGGY BACK



B

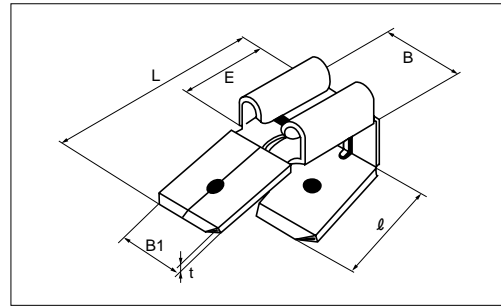


TMEDV : Vinyl
TMEDN : Nylon

| PART NUMBER | DIMENSIONS mm | | | | | | | WIRE RANGE | | TOOL No. | | STD QTY/BOX |
|--|---------------|------|------|------|-----|------|-----|--------------------------|-------|------------------------|-----------------|---------------------|
| | B | B1 | L | d | D | H | t | STRANDED mm ² | AWG | HAND TOOL No. | DIES No. | |
| TMEDV TMEDN 630809-V | 6.9 | 6.35 | 22.0 | 1.85 | 4.1 | 10.0 | 0.8 | 0.75 ~ 1.25 | 18-16 | NH 11 NA 10 NA 3 | N10 11 N3 11 | 1,000 (100 x 10) |
| TMEDV TMEDN 630820-V | 6.9 | 6.35 | 22.0 | 2.55 | 4.5 | 10.0 | 0.8 | 2.0 | 14 | NH 12 NA 10 NA 3 | N10 12 N3 12 | 1,000 (100 x 10) |

- NOTE 1) Refer to page 54 for proper strip length of wire and Nylon insulated products
2) TMD & TMDEN Type are also available , see page 32.

3 WAY ADAPTOR



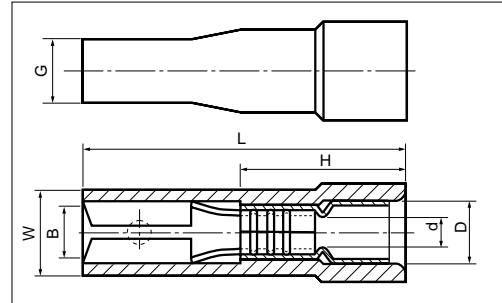
| PART NUMBER | DIMENSIONS mm | | | | | | | TOOL No. | | STD QTY/BOX |
|-------------|---------------|------|-------|-----|-----|-----|---------------|----------|-------|-------------|
| | B | B1 | L | t | ℓ | E | TOOL BODY No. | DIES No. | | |
| 63V | 6.9 | 6.35 | 18.85 | 0.8 | 9.0 | 7.5 | — | — | 1,000 | |

QUICK-DISCONNECTS



FULLY INSULATED
FEMALE DISCONNECTS

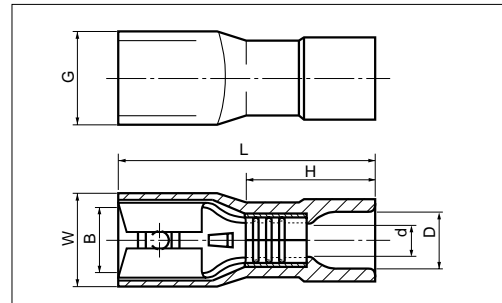
110 SERIES



TMDEN : Nylon

| PART NUMBER | DIMENSIONS mm | | | | | | | MATING TAB THICKNESS mm | WIRE RANGE | | TOOL No. | | STD QTY/BOX |
|-----------------|---------------|-----|------|-----|-----|-----|------|-------------------------|--------------------------|-------|----------------|--------------------------|-----------------|
| | B | W | L | d | D | G | H | | STRANDED mm ² | AWG | HAND TOOL No. | TOOL BODY No. / DIES No. | |
| TMDEN 280509-FA | 3.2 | 5.5 | 19.5 | 1.9 | 3.4 | 4.8 | 10.0 | 0.5 | 0.75 ~ 1.25 | 18-16 | NH 11 NH 32 | 1,000 (100 × 10) | |
| 280809-FA | | | | | | | | 0.8 | | | NA 10 NA 3 | | N10 11 N3 11 |

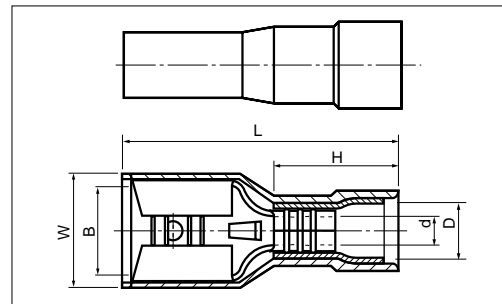
187 SERIES



TMEDN : Nylon

| PART NUMBER | DIMENSIONS mm | | | | | | | MATING TAB THICKNESS mm | WIRE RANGE | | TOOL No. | | STD QTY/BOX |
|-------------------|---------------|-----|------|-----|-----|-----|-----|-------------------------|--------------------------|-------|----------------|--------------------------|-----------------|
| | B | W | L | d | D | G | H | | STRANDED mm ² | AWG | HAND TOOL No. | TOOL BODY No. / DIES No. | |
| TMEDN 480509-FA ○ | 5.0 | 7.0 | 19.5 | 1.8 | 4.1 | 4.9 | 9.8 | 0.5 | 0.75 ~ 1.25 | 18-16 | NH 11 NH 32 | 1,000 (100 × 10) | |
| 480809-FA ○ | | | | | | | | 0.8 | | | NA 10 NA 3 | | N10 11 N3 11 |
| TMEDN 480520-FA ○ | 5.0 | 7.0 | 19.5 | 2.4 | 4.5 | 5.6 | 9.8 | 0.5 | 2.0 | 14 | NH 12 NH 32 | 1,000 (100 × 10) | |
| 480820-FA ○ | | | | | | | | 0.8 | | | NA 10 NA 3 | | N10 12 N3 12 |

250 SERIES



TMDN : Nylon

| PART NUMBER | DIMENSIONS mm | | | | | | | MATING TAB THICKNESS mm | WIRE RANGE | | TOOL No. | | STD QTY/BOX |
|----------------|---------------|-----|------|-----|-----|-----|------|-------------------------|--------------------------|-------|----------------|--------------------------|-------------|
| | B | W | L | d | D | G | H | | STRANDED mm ² | AWG | HAND TOOL No. | TOOL BODY No. / DIES No. | |
| TMDN 630809-FA | 6.8 | 9.0 | 21.0 | 1.7 | 3.2 | 5.3 | 10.0 | 0.8 | 0.75 ~ 1.25 | 18-16 | NH 11 NH 32 | 1,000 (100 × 10) | |
| TMDN 630820-FA | 6.8 | 9.0 | 21.0 | 2.3 | 3.9 | 5.3 | 10.0 | 0.8 | 2.0 | 14 | NH 12 NH 32 | 1,000 (100 × 10) | |
| TMDN 630855-FA | 6.8 | 9.2 | 26.0 | 3.5 | 5.4 | 5.3 | 15.0 | 0.8 | 5.5 | 10 | NH 13 NH 32 | 500 (100 × 5) | |

NOTE 1) ○ : UL/CSA : UL

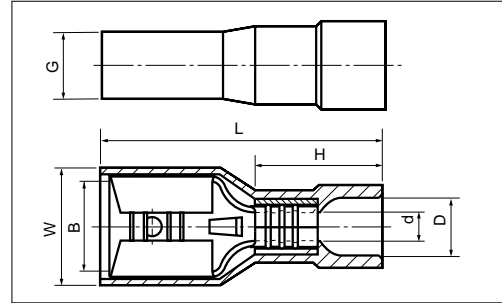
2) Refer to page 54 for UL/CSA, proper strip length of wire and Nylon insulated products.

QUICK-DISCONNECTS



FULLY INSULATED
FEMALE DISCONNECTS

250 SERIES



B



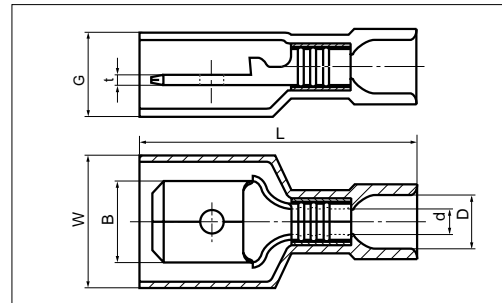
TMEDN : Nylon

| PART NUMBER | DIMENSIONS mm | | | | | | | MATING TAB THICKNESS mm | WIRE RANGE | | TOOL No. | | STD QTY/BOX |
|-------------------|---------------|-----|------|-----|-----|-----|-----|-------------------------------|-----------------------------|-------|--|---------------------|----------------|
| | B | W | L | d | D | G | H | | STRANDED mm ² | AWG | HAND TOOL No. TOOL BODY No. DIES No. | | |
| TMEDN 630809-FA ○ | 6.8 | 8.9 | 21.5 | 1.7 | 4.1 | 5.0 | 9.8 | 0.8 | 0.75 ~ 1.25 | 18-16 | NH 11 NH 32 NA 10 N10 11 NA 3 N3 11 | 1,000 (100 × 10) | |
| TMEDN 630820-FA ○ | 6.8 | 8.9 | 21.5 | 2.3 | 4.5 | 5.0 | 9.8 | 0.8 | 2.0 | 14 | NH 12 NH 32 NA 10 N10 12 NA 3 N3 12 | 1,000 (100 × 10) | |

MALE COUPLER : TMEDN 630809MA. TMEDN 630820MA

FULLY INSULATED
MALE DISCONNECTS

250 SERIES



TMEDN : Nylon

| PART NUMBER | DIMENSIONS mm | | | | | | | | WIRE RANGE | | TOOL No. | | STD QTY/BOX |
|-------------------|---------------|------|-----|------|------|-----|-----|------|-----------------------------|-------|--|------------------|----------------|
| | B | W | t | L | d | D | G | H | STRANDED mm ² | AWG | HAND TOOL No. TOOL BODY No. DIES No. | | |
| TMEDN 630809-MA ○ | 6.35 | 10.3 | 0.8 | 22.0 | 1.85 | 4.1 | 6.4 | 10.0 | 0.75 ~ 1.25 | 18-16 | NH 11 NH 32 NA 10 N10 11 NA 3 N3 11 | 500 (100 × 5) | |
| TMEDN 630820-MA ○ | 6.35 | 10.3 | 0.8 | 22.0 | 2.55 | 4.5 | 6.4 | 10.0 | 2.0 | 14 | NH 12 NH 32 NA 10 N10 12 NA 3 N3 12 | | |

Only the Nylon insulated products is available.

It is not appropriate to mate with ICTDN 630809FA and ICTDN 630820FA

NOTE 1) ○ : UL/CSA

2) Refer to page 54 for UL/CSA, proper strip length of wire and Nylon insulated products.