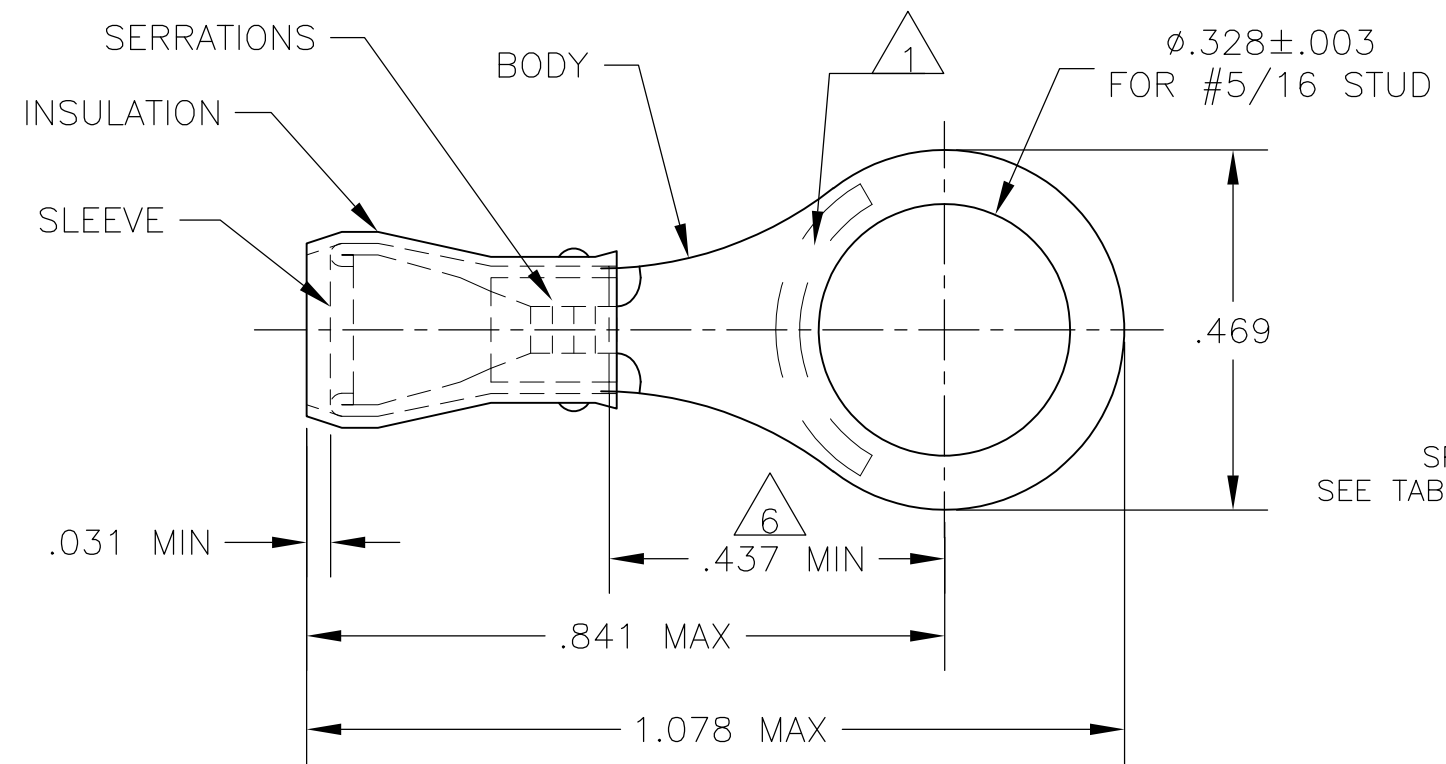
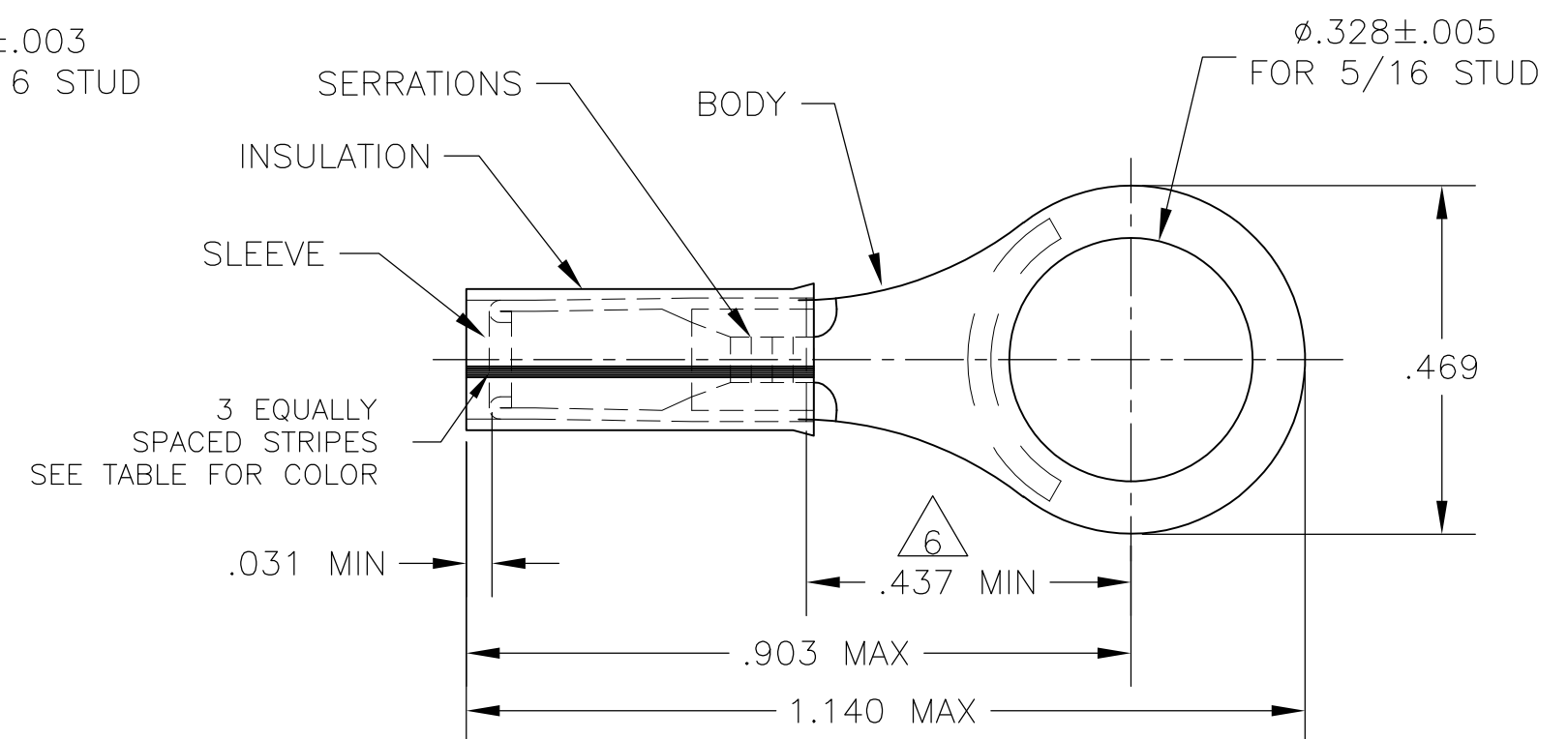


THIS DRAWING IS UNPUBLISHED. RELEASED FOR PUBLICATION  
 © COPYRIGHT - By - ALL RIGHTS RESERVED.

LOC	DIST	REVISIONS			
P	LTR	DESCRIPTION	DATE	DWN	APVD
G	14	S	REVISED PER ECO-14-015277	24FEB2015	NK DR



STYLE "A"



STYLE "B"  
INSULATION RESTRICTING

- 1 STAMP (SEE TABLE) APPROX AS SHOWN.
- 2 WIRE INSULATION DIA: SEE TABLE.
- 3 TONGUE MATERIAL THK: .031±.002.
- 4 BODY & SLEEVE: TIN PLATE PER ASTM B545  
INSULATION: NYLON (MIL-M-20693), TYPE 1.
- 5 BODY & SLEEVE- COPPER PER ASTM B152  
INSULATION - COLOR - BLUE.
- 6 APPLIES FROM EDGE OF METAL WIRE BARREL  
TO CENTER OF STUD HOLE.
- 7 MEETS MS25036-109, CLASS 1 & 2.
- 8 MEETS MS25036-109, CLASS 2.
- 9 MEETS M7928/1-44, CLASS 1 & 2.
- 10 MEETS M7928/1-53, CLASS 1 & 2.

-	-	AMP 16-14*	.105-.150	16-14	A	100	LOOSE PIECE BOX	8-320575-1	
-	GREEN	AMP 14*	.078-.130	14	B	1	INSULATION RESTICTING	2-320575-3	
-	BLUE	AMP 16*	.063-.130	16	B	1	INSULATION RESTICTING	2-320575-2	
8	2-320575-1	-	AMP 16-14*	.105-.150	16-14	A	1	WIRE TERMINAL	
	PART NO. ON TAPE	COLOR CODE STRIPE	STAMPING	WIRE INS. DIA	WIRE SIZE	STYLE	QTY	DESCRIPTION	PART NO

THIS DRAWING IS A CONTROLLED DOCUMENT.

DWN	JR RUTH	09SEPT09	 TE Connectivity		
CHK	T MICHIELUTTI	09SEPT09			
APVD	T MICHIELUTTI	09SEPT09			
PRODUCT SPEC	NAME				
APPLICATION SPEC	TERMINAL, RING TONGUE, P.I.D.G. WIRE SIZE: 16-14 AWG				
WEIGHT	-	SIZE	CAGE CODE	DRAWING NO	RESTRICTED TO
		A3	00779	C-320575	-
CUSTOMER DRAWING			SCALE	SHEET	REV
			4:1	1 OF 1	S