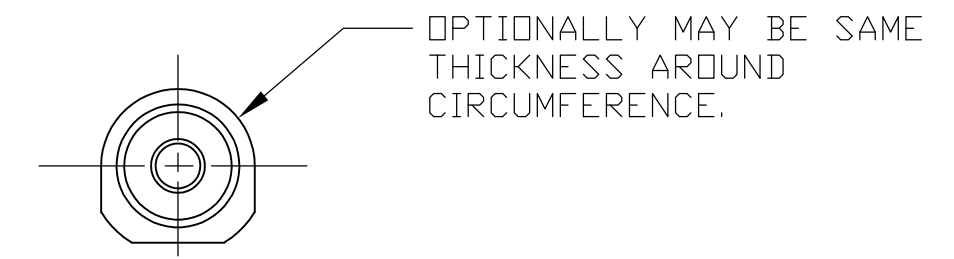
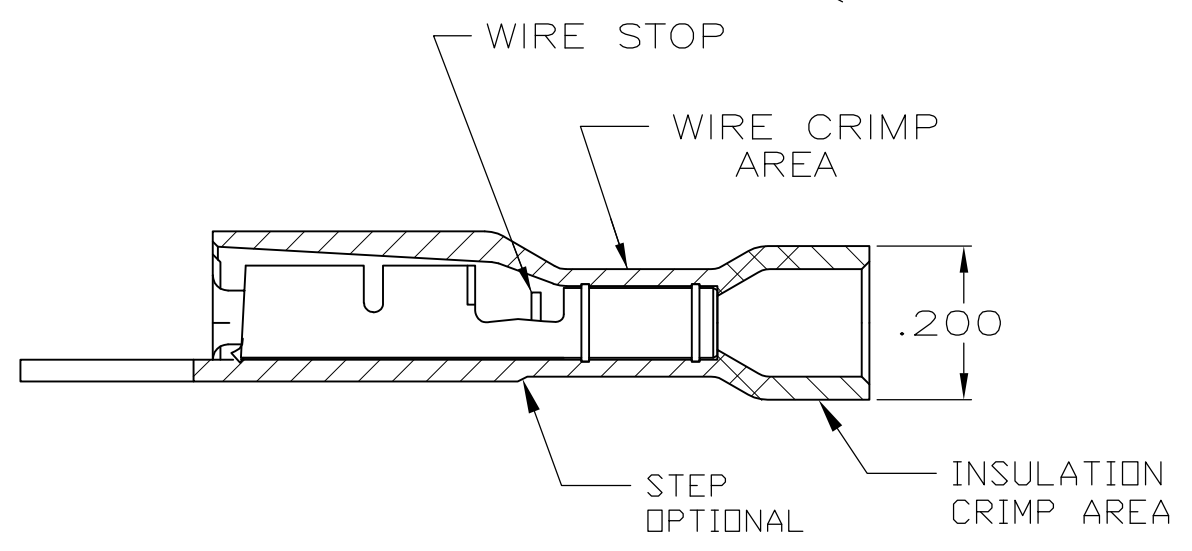
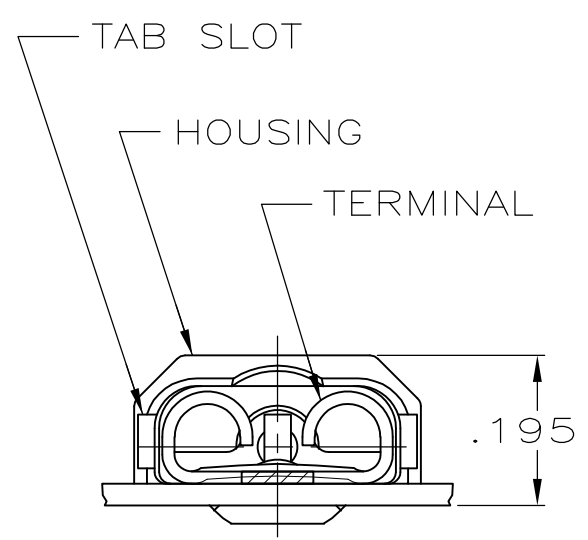
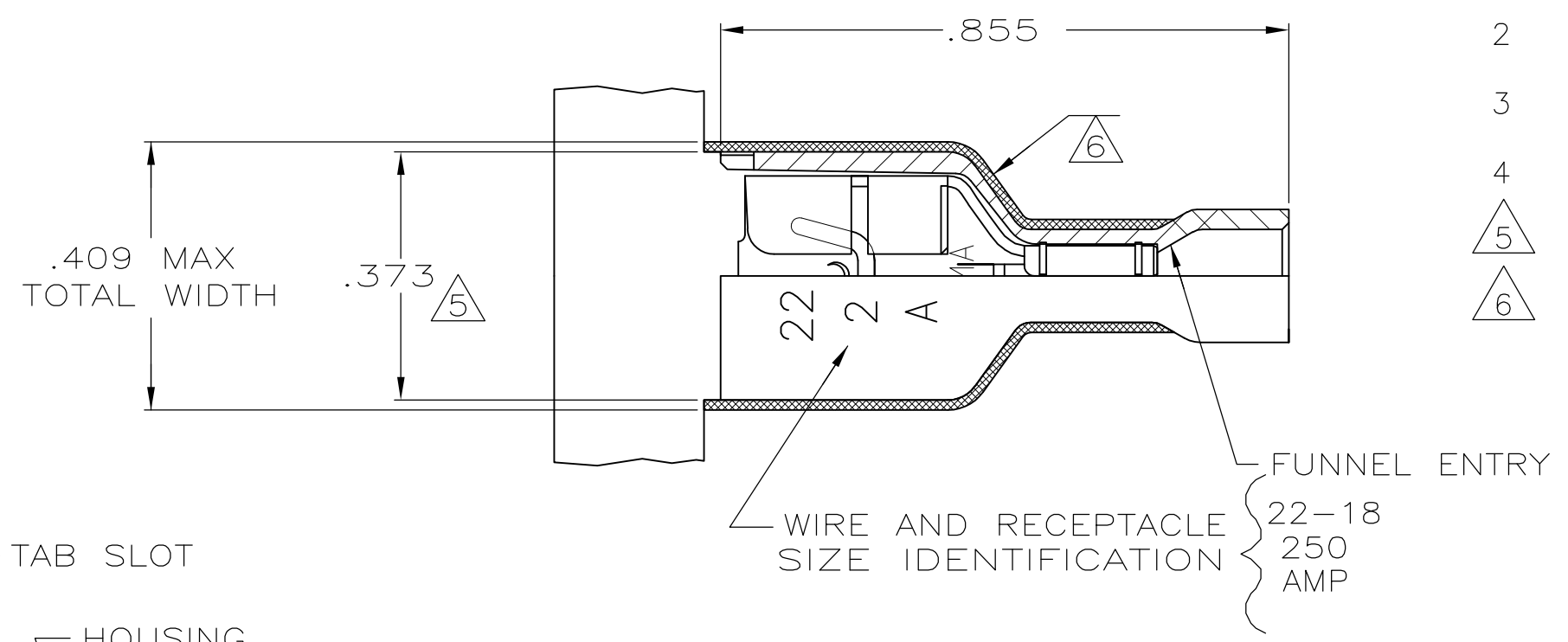


THIS DRAWING IS UNPUBLISHED. RELEASED FOR PUBLICATION  
 © COPYRIGHT - By - ALL RIGHTS RESERVED.

LOC	DIST	REVISIONS					
		P	LTR	DESCRIPTION	DATE	DWN	APVD
AF	50		L1	REVISED PER ECO-15-008427	08JUN15	BW	DH

- 1 MATES WITH .032±.001x.250 TAB
- 2 WIRE STRIP LENGTH .281
- 3 INSULATION SIZE .060-.135 DIA
- 4 CONTINUOUS STRIP ON REELS
- △5 DIMENSION DOES NOT INCLUDE TRIM BURR
- △6 .015 MAX CARRIER TRIM BURR PER SIDE IS ALLOWABLE IN THE SHADED AREA



HOUSING: NYLON, COLOR-RED TRANSLUCENT	2-520405-2
RECEPTACLE: BRASS, TIN	
MATERIAL & FINISH	PART NO

THIS DRAWING IS A CONTROLLED DOCUMENT.		DWN P FORTNEY 10/26/88	<b>STE</b> TE Connectivity		
DIMENSIONS: INCHES		CHK MS FEHER 11/3/88			
TOLERANCES UNLESS OTHERWISE SPECIFIED:		APVD K RANDOLPH 11/4/88	NAME RECEPTACLE ASSY, ULTRA-FAST PLUS, .250 SERIES, 22-18 AWG		
0 PLC ± -		PRODUCT SPEC 108-2044	SIZE A3		
1 PLC ± -		APPLICATION SPEC 114-2123	CAGE CODE 00779	DRAWING NO C-520405	RESTRICTED TO -
2 PLC ± -		WEIGHT -	SCALE 4:1		
3 PLC ± .015		CUSTOMER DRAWING			
4 PLC ± -		SHEET 1 OF 1			
ANGLES ± -		REV L1			
FINISH SEE TABLE					