

THIS DRAWING IS UNPUBLISHED.

RELEASED FOR PUBLICATION

© COPYRIGHT - By -

ALL RIGHTS RESERVED.

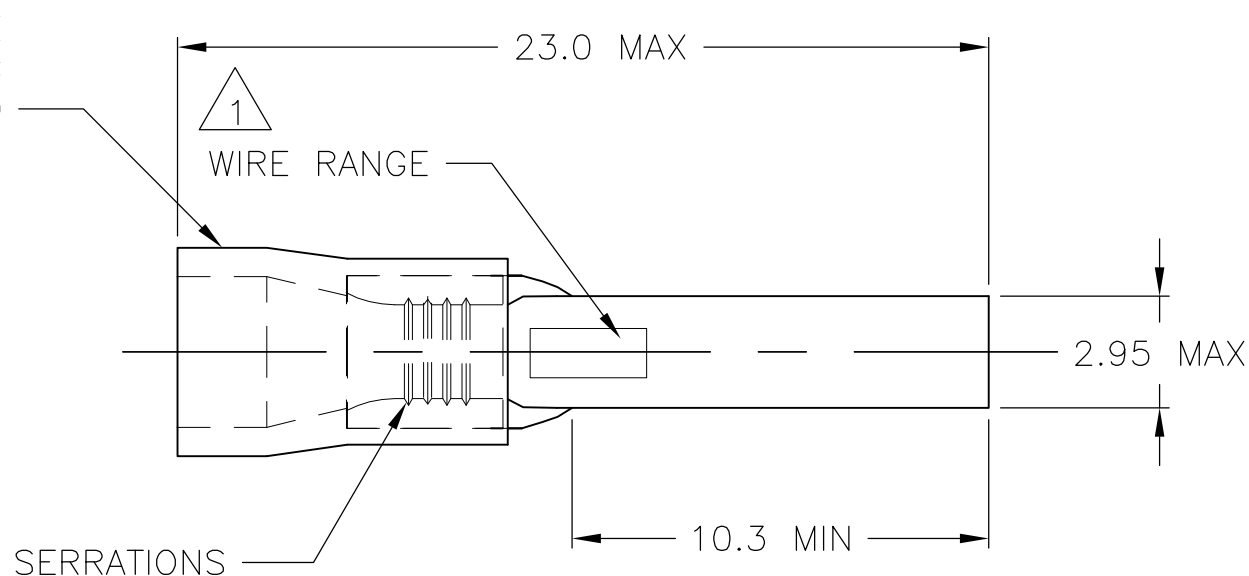
LOC
G

DIST
02

REVISIONS

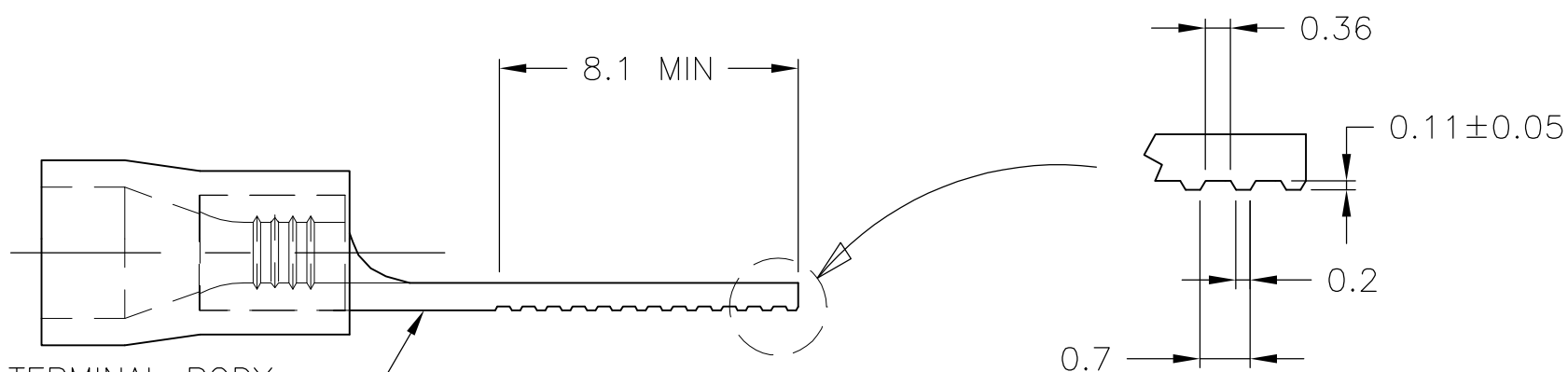
P	LTR	DESCRIPTION	DATE	DWN	APVD
	D2	REVISED PER ECO-15-001229	27JAN2015	NK	DR

INSULATION SLEEVE
MATERIAL: PVC
COLOR: RED



- 1 WIRE SIZE IS 22-16 AWG.
- 2 WIRE INSULATION DIA: 2.7-3.6.
- 3 MATERIAL THICKNESS IS 0.80±0.05
- 4 600 VOLT MAX.
- 5 CIRCULAR MIL AREA:
509-3,260 (0.26mm²-1.65mm²).

TERMINAL BODY
MATERIAL: COPPER
FINISH: TIN PLATE



PLASTIC BAG	STANDARD	1000	131443
PACKAGING	LABELLING	QTY	PART NO

THIS DRAWING IS A CONTROLLED DOCUMENT.

DIMENSIONS: mm	TOLERANCES UNLESS OTHERWISE SPECIFIED:
	0 PLC ± -
	1 PLC ± 0.13
	2 PLC ± -
	3 PLC ± -
	4 PLC ± -
	ANGLES ± 1°
MATERIAL	FINISH
-	-

DWN	jr_ruth	29MAR06
CHK	T MICHIELUTTI	28MAR06
APVD	T MICHIELUTTI	28MAR06
PRODUCT SPEC	-	
APPLICATION SPEC	-	
WEIGHT	-	
CUSTOMER DRAWING		

STE TE Connectivity

NAME: TERMINAL, PIN, PLASTI-GRIP

SIZE	CAGE CODE	DRAWING NO	RESTRICTED TO
A3	00779	C-131443	-

SCALE: 5:1 SHEET: 1 OF 1 REV: D2