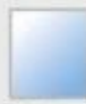

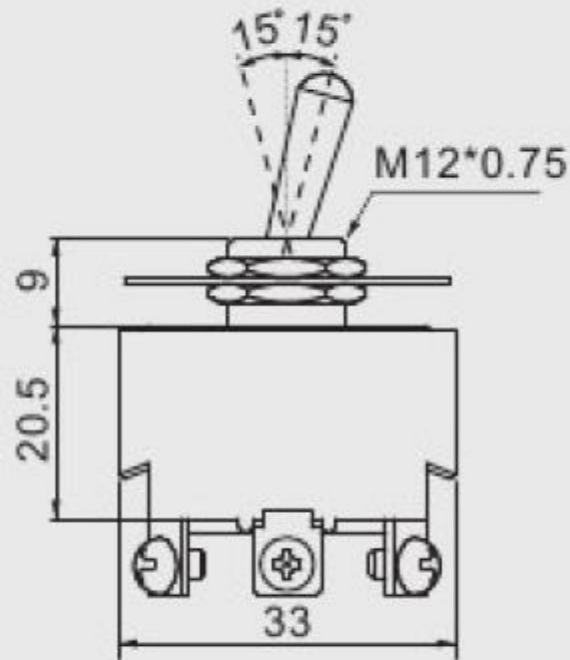
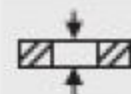


R13-8  -  



20A 12V DC

∅ 12.2

 4 mm max

FUNCTION



TERMINAL

**0 1**  .250" SQ

**0 5**  S0

**0 6**  SC M3

**0 7**  SC M4