
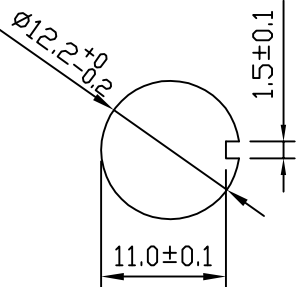
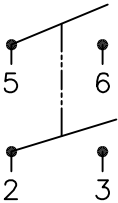
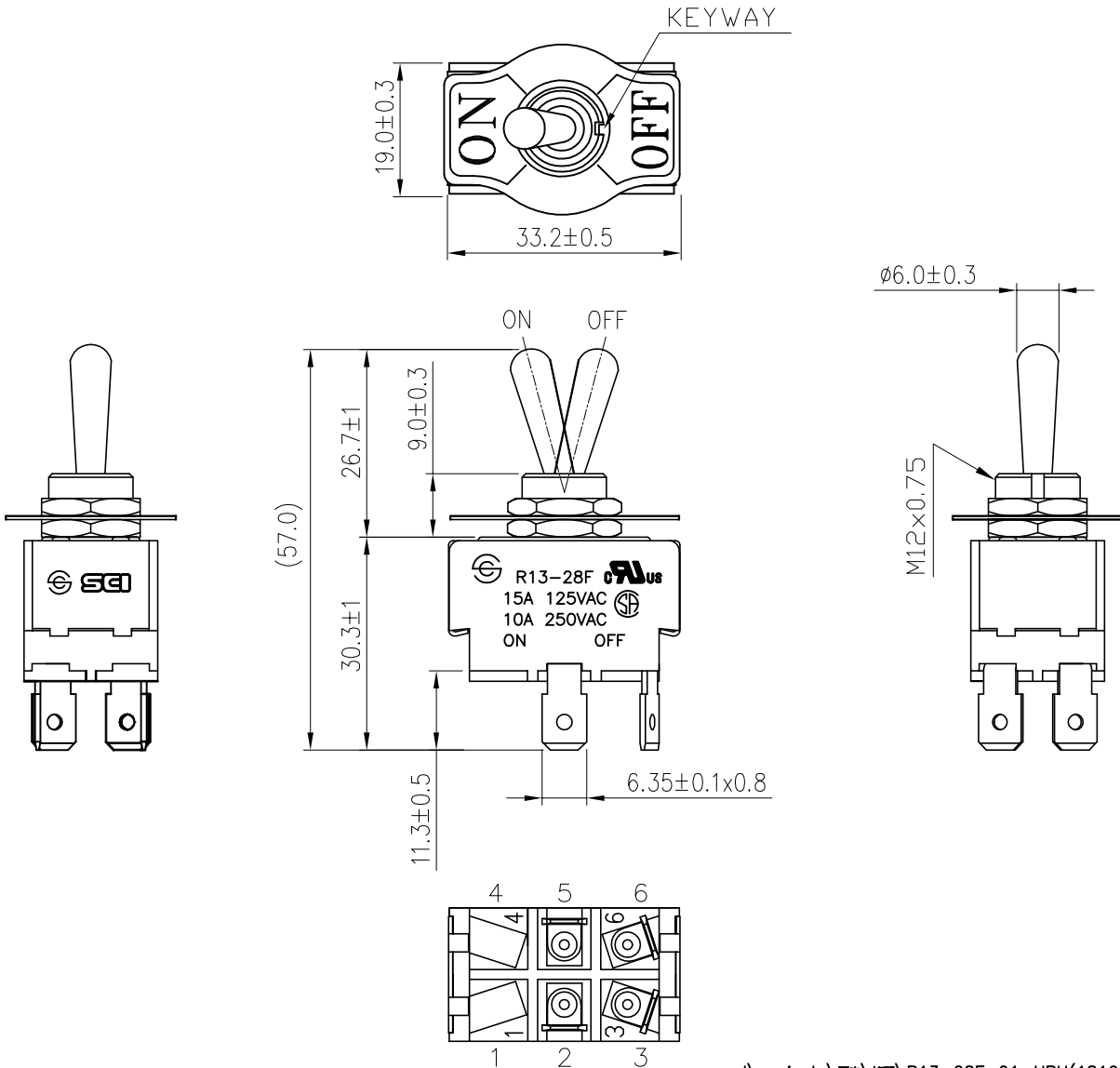


Rating	10A 250V AC 15A 125V AC 		
Contact Resistance	50m ohm Max.		
Insulation Resistance	DC 500V 100M ohm Min		
Dielectric Strength	AC 1500V 1 minute		
Operation Temperature	0°C~55°C		
Switch Function	4P DPST ON-OFF		



d:\projects\...R13-28F-01-HPH(1810987)\_3

10/8/'11	Ruby	Add SCI LOGO: 					
8/10/'09	Ruby	銘板修正					
6/30/'09	Ruby	符合現有UL, UL符號改為CUL, 及RU兩邊之C和US為粗體					
Date	Name	Description			No.		
Drawn	Checked	Approved	SCI BOM No.	1810987	Model Name	TOGGLE SWITCH	
Ruby	楊金江	李元生	Customer No.		Model No.	R13-28F-01-HPH	
10/12/'11	10/18/'11	10/18/'11	Unit	mm	 Shin Chin Industrial Co., Ltd.		
							Rev. 3