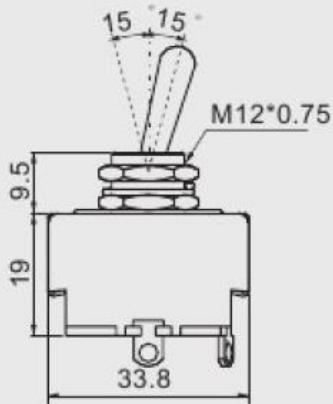


R13-28 -



∅ 12.2

20A 12V DC

 6 mm max

FEATURES

* Watertight boot (W-70B) is optional (refer page 71).

* Wire connector (R4-50) is optional (refer page 70).



FUNCTION



TERMINAL

0 1  .250" SQ

0 5  S0

0 6  SC M3