

Piezo Switch N.O.



PSE M24 RI red

**Description**

- Switch available in version Standard, with Lettering, starting from 22 mm diameter with Point Illumination or Ring Illumination - Assembly by mounting with nut - Pins, Wire, Crimp Terminal male or Cable with Faston

Approvals

- EMC directive 2004/108/EWG EMC directive 2004/108/EWG
 - DGUV Test Certificate: FW 11040 Requirements for Food Processing Equipment
 - MIL-STD Certificate Number: 202F Method 107G, 202F Method 204D, 202F Method 213B, 416D Method RS103, 810E Method 501.3, 810E Method 502.3, 810E Method 507.3
 - VDE Certificate Number: DIN EN 61000-4-2, DIN EN 61000-4-4, DIN EN 61000-4-5

Characteristics

- Housing material types: plastic, aluminum or stainless steel, ring illuminated version additionally made of polyamide
 - Variety of design options regarding size, colour, shape, connection or lettering
 - High reliability, long lifetime with more than 20 mill. actuations
 - For use in harsh environments, both indoors and outdoors

Other versions on request

- switch for longer switching signal duration, type: PSE IV
 - switch for explosion proof applications, type: PSE EX
 - switch with enhanced vandal proof protection, type: PSE HI
 - as keypad, type: Piezo Keypad

Weblinks

[html-datasheet](#), [General Product Information](#), [Approvals](#), [RoHS](#), [CHINA-RoHS](#), [e-Shop](#), [CAD-Drawings](#), [Product News](#), [Detailed request for product](#)

Technical Data**Electrical Data**

Switching Function	N.O.
Supply Voltage	12 / 24 VDC Ring Illumination, 24 VDC Point Illumination,
Switching Voltage	max. 42 / 60 VAC/DC
Switching Current	max. 100 mA
Rated Breaking Capacity	1 W
Lifetime	20 mill. at Rated Braking Capacity
Switch Resistance OFF	> 10 MΩ
Switch Resistance ON	< 20 Ω actuated (Ta = 25°C)
Capacity	5 nF
N.O. Closing Impulse Duration	20- 1000 ms depending on actuating force, time and speed
Contact Configuration	free polarity

Mechanical Data

Actuating Force	≤ 3 N at ambient temperature
Actuating Travel	0.002 mm
Shock Protection	IK 02
Starting Torque	2.5 Nm

Climatical Data

Operating Temperature	-40 to +85 °C
Storage Temperature	-40 to +85 °C
IP-Protection	IP 67 , IP 69K from front side, front side / rear side DIN EN 60069-2-30 Db (Moist heat - air test with 55°C / 93% humidity)

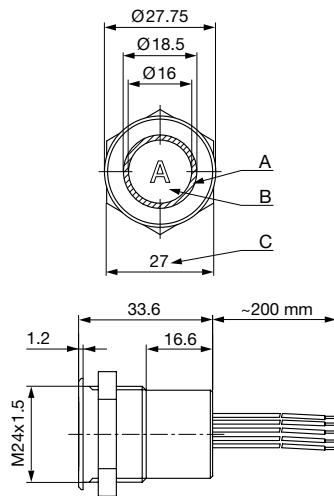
Salt Spray Test (acc. to DIN 50021-SS)	24 h / 48 h / 96 h Residence Time
--	-----------------------------------

Material

Housing (depending on type)	Stainless Steel, Aluminium anodized, Polyamide
Actuating Area / Insert (with Ring Illumination)	Stainless Steel, Aluminium anodized
Illuminated Ring (Ring Illumination)	Polyamide

Dimensions

PSE M24 RI



Legend:

A = Illumination Area

B = Actuating Area

C = Width Across Flats

I = Crimp Terminal male 6.3 x 0.8

PI = Point Illumination

RI = Ring Illumination

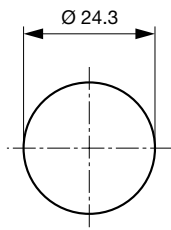
Lettering:

- either with/without lettering

- position of the connections with respect to the position of the lettering is not defined

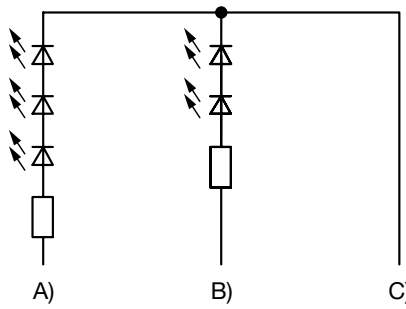
Dimensions

PSE M24



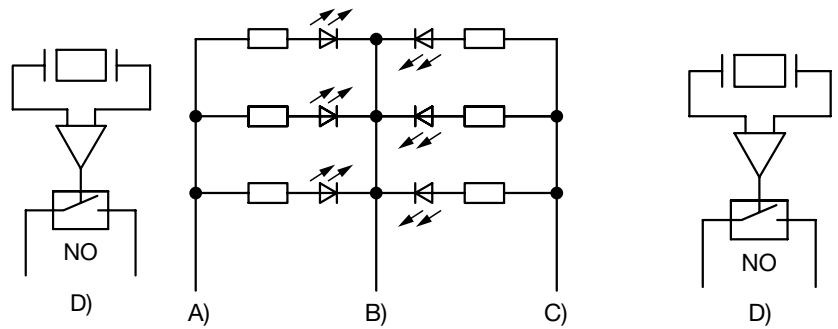
Diagrams

PSE M24 RI / PSE M27 RI / PSE M30 RI, 12/24 V



- A) Cable 1 (color of the LEDs), Supply voltage first LED group
- B) Cable 3 (color of the LEDs), Supply voltage second LED group
- C) Cable 2 (black), Common mass of both LED groups
- D) Cable 4 and 5 (white), Input and output PSE switch

PSE M24 RI / PSE M27 RI / PSE M30 RI, 5 V



- A) Cable 1 (color of the LEDs), Supply voltage first LED group
- B) Cable 2 (black), Common mass of both LED groups
- C) Cable 3 (color of the LEDs), Supply voltage second LED group
- D) Cable 4 and 5 (white), Input and output PSE switch

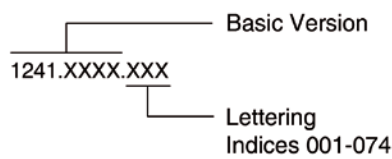
PI = point illumination
RI = ring illumination

Lettering

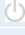


The last three digits in the order number define the lettering:

001-074	Standard Lettering
101-	Customized Lettering

Ordering Example for Lettering



Order Index Lettering

001 = A	021 = U	041 = ÷	061 = EIN
002 = B	022 = V	042 = =	062 = AUS
003 = C	023 = W	043 = ==	063 = AUF
004 = D	024 = X	044 = #	064 = AB
005 = E	025 = Y	045 = =	065 = ON
006 = F	026 = Z	046 = =	066 = OFF
007 = G	027 = 0	047 = →	067 = UP
008 = H	028 = 1	048 = ←	068 = DOWN
009 = I	029 = 2	049 = =	069 = HIGH
010 = J	030 = 3	050 = =	070 = LOW
011 = K	031 = 4	051 = %	071 = ON/OFF
012 = L	032 = 5	052 = √	072 = START
013 = M	033 = 6	053 = CTRL	073 = RESET
014 = N	034 = 7	054 = RETURN	074 = 
015 = O	035 = 8	055 = SHIFT	075 = 
016 = P	036 = 9	056 = LOCK	076 = 
017 = Q	037 = +	057 = STOP	
018 = R	038 = -	058 = ENTER	
019 = S	039 = .	059 = BACK	
020 = T	040 = x	060 = LINE	

Variants

Mounting Diameter	Terminal	Housing Material, Twist Protection	Colour of Housing	Actuator area	Illumination, LED	Type	Order Number
24	Flexible wire	Aluminum ,no	Alu natural	F	Ring Illumination, red / green, 12 VDC	PSE 24 RI	1241.3134
24	Flexible wire	Aluminum ,no	Alu natural	F	Ring Illumination, red / green, 24 VDC	PSE 24 RI	1241.3010

Legend:

Type:

PI = RU = Point Illumination

RI = Ring Illumination

K = Plastics

Alu = Aluminium

ES = Stainless steel

F = Finger guidance

E = without finger guidance

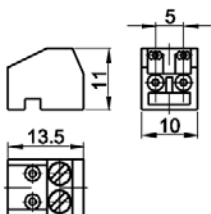
IV = prolonged signal

The nut with gasket are enclosed in the box.

Other mounting diameters, materials, colors, connections, supply voltages as customized products possible.
Special materials for use in salt and chlorine containing environment on request.

Accessories

Description



Connecting Terminal PSE NO
Connecting Terminal for Pin Versions of PSE NO

PSE NO

0701.9225