

Metal Switch Medium Stroke, Switching Voltage up to 36 VDC



MCS ES 18



### Description

- Vandal-proof momentary switch with a diameter of 18 mm
- Assembly by mounting with nut
- Clip for Pins

### Standards

- EN 50102

### Characteristics

- Housing and actuator made of high quality stainless steel
- Rugged design, protection against vandalism
- For use in harsh environments, both indoors and outdoors

### Weblinks

[html-datasheet](#), [General Product Information](#), [CE declaration of conformity](#), [RoHS](#), [CHINA-RoHS](#), [CAD-Drawings](#), [Product News](#), [Detailed request for product](#)

### Technical Data

#### Electrical Data

##### Contact Material Silver

Switching Voltage	min. 3 VDC , max. 36 VDC
Switching Current	max. 2 A
Rated Switching Capacity	72 W
Lifetime	0.2 million actuations
Contact Resistance	< 50mΩ
Insulation Resistance	> 1'000 MΩ
Duration of Bounce	< 10 ms

#### Mechanical Data

Actuating Force	4 N
Actuating Travel	1.8 mm,
Lifetime	1 million actuations
Shock Protection	IK 09 ,
Tightening Torque	1 Nm

#### Climatical Data

Operating Temperature	-20 to +55 °C
Storage Temperature	-20 to +55 °C
IP-Protection	IP 65 from front side ,

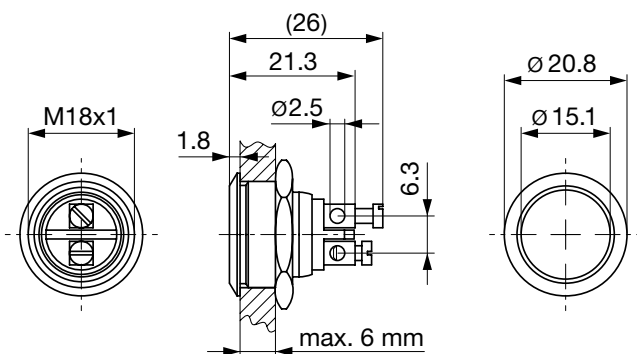
#### Material

Contact Material	Ag
Housings	Stainless Steel
Actuator unlettered	Stainless Steel

Detailed information on product approvals, code requirements, usage instructions and detailed test conditions can be looked up in [General Product Information](#)

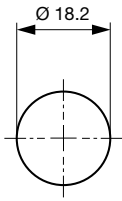
### Dimension [mm]

MCS ES 18



## Dimension

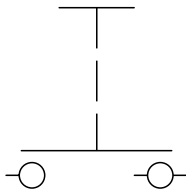
MCS ES 18



Drilling diagram

## Diagrams

MCS ES 18



## All Variants

Switching Current	Switching Voltage	Contact Material	Shock Protection	Torsion Protection	IP Protection Class Front Side	Config. Code	Order Number
[A]	[VAC/ VDC]						
2 A	36 VDC	Ag	IK 09	no	IP 65	MCS ES 18	1301.9560

Nut with gasket are enclosed in the box.

Most Popular.

Availability for all products can be searched real-time:<http://www.schurter.com/en/Stock-Check/Stock-Check-SCHURTER>

**Packaging unit** 40 in cardboard box



- Actuating elements with nut in the packaging
- Sealing rings in a bag (enclosed in the box)