

Metal Switch Medium Stroke, Switching Voltage up to 250 VAC



MSM 16 ST



### Description

- Momentary switch available in version: Standard (ST), with Lettering (LE), from diameter 19 mm with Point Illumination (PI) and with Ring Illumination (RI)
- Assembly method: clip micro-switch into the saddle, secure switch using mounting nut
- Equipped with flat-pin plugs to permit fast connection

### Standards

- DIN EN 61058-1
- UL 1054

### Approvals

- Low Voltage Directive 2006/95/EC compliant; following certificate numbers apply to micro switch
- VDE / ENEC Certificate Number (Omron): 40008425, 129246, 125256
- UL / CSA File Number (Omron): E41515
- VDE / ENEC Certificate Number (Marquardt): 097550
- UL / CSA File Number (Marquardt): E41791
- KEMA / ENEC File Number (Cherry): 2089323.01
- UL / CSA File Number (Cherry): E23301

### Characteristics

- Housing and actuator material: high-quality stainless steel
- Variety of design options regarding size, colour, illumination, connection or lettering
- Switching voltage from 30 VDC to 250 VAC, switching current from 0.1 A to 10 A
- optional with point or ring illumination
- for use in harsh environments

### References

- Alternative: double-pole switch: [MSM DP](#)  
 Alternative: switch with latching function: [MSM LA](#)  
 Alternative: switch with backlighted illumination: [MSM CS](#)

### Weblinks

[html-datasheet](#), [General Product Information](#), [Approvals](#), [CE declaration of conformity](#), [RoHS](#), [CHINA-RoHS](#), [e-Shop](#), [CAD-Drawings](#), [Product News](#), [Detailed request for product](#)

**Technical Data****Electrical Data**

Switching Function	N.O., N.C., N.O./N.C.
Number of Poles	1 pole
Supply Voltage	24 / 12 / 5 VDC Ring Illumination, without series resistor Point Illumination, LED operating data are listed in separate table
Surge Strength	4 kV MSM ST / MSM LE

**Micro Switch 5 A / 125 VAC or 3 A / 250 VAC, IP40**

Contact Material	Ag
Switching Voltage	max. 125 / 250 VAC
Switching Current	max. 5 / 3 A
Rated Breaking Capacity	1250 W
Lifetime	0.2 mill. actuations at Rated Braking Capacity
Contact Resistance	< 30 mΩ
Insulation Resistance	> 100 MΩ
Duration of Bounce	< 5 ms

**Micro Switch 0,1 A / 30 VDC, IP40**

Contact Material	Au
Switching Voltage	max. 30 VDC
Switching Current	max. 0.1 A
Rated Breaking Capacity	3 W
Lifetime	0.2 mill. actuations at Rated Braking Capacity
Contact Resistance	< 50 mΩ
Insulation Resistance	> 100 MΩ
Duration of Bounce	< 5 ms

**Micro Switch for Electrical Rating 10 A / 250 VAC (Protection Class IP40)**

Contact Material	Ag
Switching Voltage	max. 250 VAC
Switching Current	max. 10 A
Rated Breaking Capacity	2500 W
Lifetime	0.05 mill. actuations at Rated Braking Capacity
Contact Resistance	< 30 mΩ
Insulation Resistance	> 100 MΩ
Duration of Bounce	< 5 ms

**Micro Switch 5 A / 250 VAC, IP67**

Switching Voltage	max. 250 VAC
Switching Current	max. 5
Rated Breaking Capacity	1500 W
Lifetime	0.05 mill. actuations at Rated Braking Capacity

**Micro Switch 0,1 A / 250 VAC, IP67 - on request**

Switching Voltage	max. 250 VAC
Switching Current	max. 0.1
Rated Breaking Capacity	25 W
Lifetime	0.05 mill. actuations at Rated Braking Capacity

**Micro Switch 10 A / 250 VAC, IP67 - on request**

Switching Voltage	max. 250 VAC
Switching Current	max. 10 A
Rated Breaking Capacity	2500 W
Lifetime	0.01 mill. actuations at Rated Braking Capacity

**Mechanical Data**

Actuating Force	4.5 N
Actuating Travel	1.0 mm, for mounting diameter 16, 19, 22 mm 1.2 mm for mounting diameter 30 mm
Lifetime	1.5 mill. actuations
Shock Protection	IK 07 for mounting diameter 19, 22, 30 mm, IK 06 for mounting diameter 16 mm
Starting Torque Plastic Nut	max. 2 Nm for thread M16, 4.5 Nm for M19, 3.5 Nm for M22, 8 Nm for M30
Starting Torque Stainless Steel Nut	max. 10 Nm for thread M16, 12 Nm for M19, 16 Nm for M22, 50 Nm for M30

**Climatical Data**

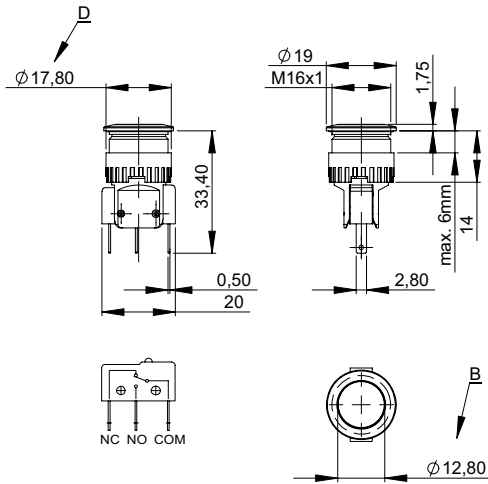
Operating Temperature	-25 to +85 °C
Storage Temperature	-25 to +85 °C
IP-Protection	IP 40 , IP 67 , IP 40 / IP 67
Salt Spray Test (acc. to DIN 50021-SS)	24 h / 48 h / 96 h Residence Time

**Material**

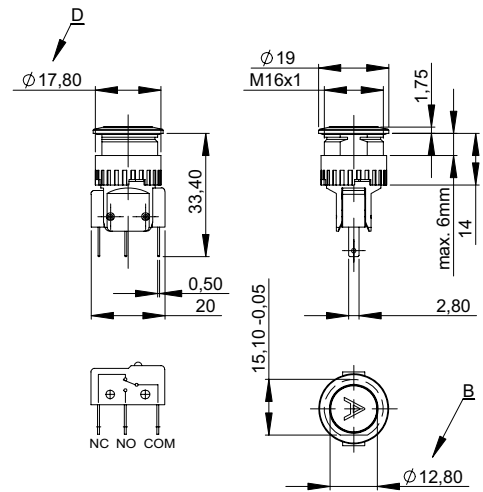
Housing	Stainless Steel
Actuator	Stainless Steel
Light Conductor (Point Illumination)	PC
Illuminated Ring (Ring Illumination)	PA
Gasket	NBR70
Switcher Collet	PA

**Dimensions**

MSM 16 ST



MSM 16 LE

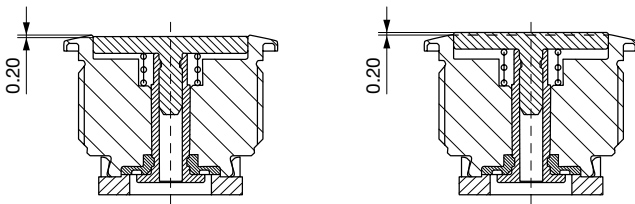


**Legend**

- A = Illumination Area
- B = Actuating Area
- C = Width Across Flats
- D = Nut

**Tolerance Range**

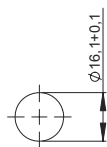
Actuator Tolerance Range



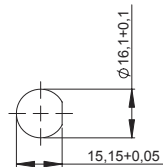
The mounting tolerance range of the actuator varies from 0.2 mm projection length and 0.2 mm short length to the housing edge. The slanting position of the actuator can range within this tolerance.

**Dimensions**

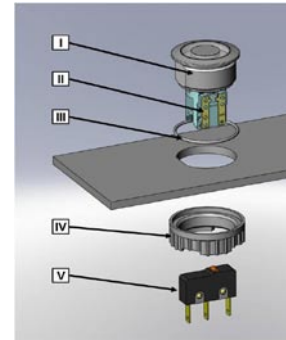
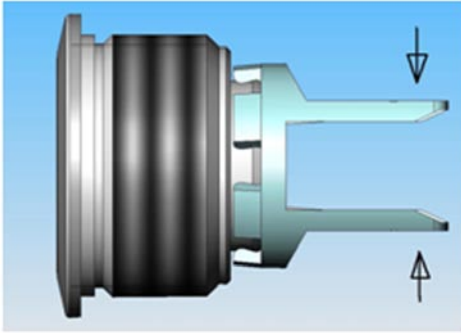
MSM 16 ST



MSM 16 LE



## Mounting instructions



During assembly, the protruding bars of the holder should not be pressed together.

- I Housing
- II Flat Pin Terminal (Illumination)
- III Gasket
- IV Nut (Nut type see Dimensions)
- V Module Switching Contact

### Installation Instruction:

- 1.) Place the gasket accurately on the actuator housing. Then mount the actuator housing assembly into the panel.
- 2.) Tighten the screw nut according to the torque instructions.
- 3.) Clasp the module switching contact into the micro switch holder of the actuator housing.

### Installation information:

- 1.) The power supply and the configuration of the flat pin terminals have to be installed correctly for the illumination and micro switch function.
- 2.) Insulate the terminals as required. Fully insulated plug-in sleeves are recommended.
- 3.) Installation instructions according to VDE-standard DIN VDE 0100-100 or alternatively IEC 60354 standard.

## Diagrams

MSM ST / MSM LE

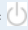

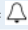


## Lettering

The last three digits in the order number define the lettering:

000	No Lettering
001-074	Standard Lettering
101-	Customized Lettering

## Order Index Lettering

001 = <b>A</b>	021 = <b>U</b>	041 = ÷	061 = <b>EIN</b>
002 = <b>B</b>	022 = <b>V</b>	042 =	062 = <b>AUS</b>
003 = <b>C</b>	023 = <b>W</b>	043 = =	063 = <b>AUF</b>
004 = <b>D</b>	024 = <b>X</b>	044 = #	064 = <b>AB</b>
005 = <b>E</b>	025 = <b>Y</b>	045 =	065 = <b>ON</b>
006 = <b>F</b>	026 = <b>Z</b>	046 =	066 = <b>OFF</b>
007 = <b>G</b>	027 = <b>0</b>	047 = →	067 = <b>UP</b>
008 = <b>H</b>	028 = <b>1</b>	048 = ←	068 = <b>DOWN</b>
009 = <b>I</b>	029 = <b>2</b>	049 =	069 = <b>HIGH</b>
010 = <b>J</b>	030 = <b>3</b>	050 =	070 = <b>LOW</b>
011 = <b>K</b>	031 = <b>4</b>	051 = %	071 = <b>ON/OFF</b>
012 = <b>L</b>	032 = <b>5</b>	052 = √	072 = <b>START</b>
013 = <b>M</b>	033 = <b>6</b>	053 = <b>CTRL</b>	073 = <b>RESET</b>
014 = <b>N</b>	034 = <b>7</b>	054 = <b>RETURN</b>	074 = 
015 = <b>O</b>	035 = <b>8</b>	055 = <b>SHIFT</b>	075 = 
016 = <b>P</b>	036 = <b>9</b>	056 = <b>LOCK</b>	076 = 
017 = <b>Q</b>	037 = <b>+</b>	057 = <b>STOP</b>	
018 = <b>R</b>	038 = <b>-</b>	058 = <b>ENTER</b>	
019 = <b>S</b>	039 = <b>.</b>	059 = <b>BACK</b>	
020 = <b>T</b>	040 = <b>x</b>	060 = <b>LINE</b>	

## Lettering Colour of Laser Lettering

Material	Lettering Colour	
Stainless Steel	black	Filled letters

For further Lettering details see also weblink:

[General Product Information](#)

## Variants

Diameter	Switching Current	Switching Voltage	Illumination, LED	Housing Material, Twist Protection	IP-Protection Frontside; Microswitch	Type	Order Number
[mm]	[A]	[VAC/ VDC]					
16	100 mA	30 VDC	non-illuminated	Stainless Steel ,no	IP 67 / IP 40 ;IP 40	MSM 16 ST	1241.6611.1110000
16	5 / 3 A	125 / 250 VAC	non-illuminated	Stainless Steel ,no	IP 67 / IP 40 ;IP 40	MSM 16 ST	1241.6611.1120000
16	10 A	250 VAC	non-illuminated	Stainless Steel ,no	IP 67 / IP 40 ;IP 40	MSM 16 ST	1241.6611.1130000
16	100 mA	30 VDC	non-illuminated	Stainless Steel ,yes	IP 67 / IP 40 ;IP 40	MSM 16 LE	1241.6612.1110000
16	5 / 3 A	125 / 250 VAC	non-illuminated	Stainless Steel ,yes	IP 67 / IP 40 ;IP 40	MSM 16 LE	1241.6612.1120000
16	10 A	250 VAC	non-illuminated	Stainless Steel ,yes	IP 67 / IP 40 ;IP 40	MSM 16 LE	1241.6612.1130000

Legend:

Type:

ST = Standard: not lettered

LE = Lettering: lettered

PI = Point Illumination: Lettering possible

RI = Ring Illumination: Lettering possible

Ring illuminated versions: 24 VDC supply voltage (12 and 5 VDC on request)

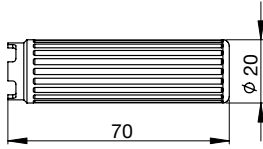
Customer-specific versions on request.

## Packaging unit

10 blistered in boxes (10 pcs.)

## Accessories

### Description



[Installation Wrench MSM 16](#)  
Installation Wrench for MSM

MSM 16

0853.0622

[Installation Wrench MSM 22](#)  
Installation Wrench for MSM 22

MSM 22

1141.1337