

TOLERANCE	
XX	± 0.5
X	± 0.2
.X	+ 0.2
.XX	+ 0.2

SPECIFICATIONS:

CONTACT RATING :

6 AMPS @ 120 V AC or 28 V DC. (UL)
 3AMPS @250 V AC (UL)
 0.4 VA AMPS max@ 20V AC or DC

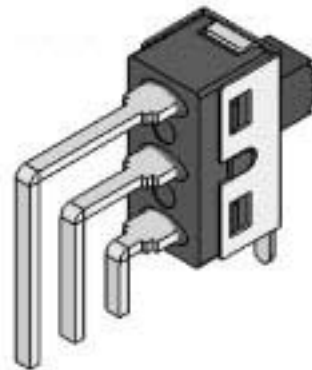
ELECTRICAL LIFE : 6,000 make-and-break cycles at full load.

CONTACT RESISTANCE :

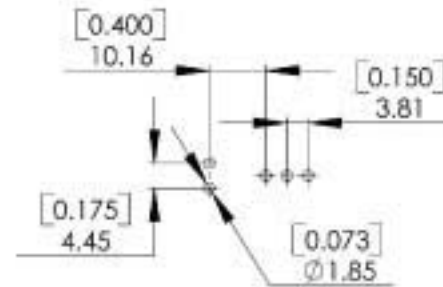
10 mΩ max. initial @ 2-4 V DC.
 100 mA, for both silver and gold plated contacts.
INSULATION RESISTANCE : 1,000 MΩ min.
DIELECTRIC STRENGTH : 1,000 V RMS @ sea level.
OPERATING TEMPERATURE : -30 °C to 130 °C

MATERIALS:

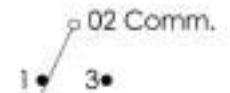
CASE : Diallyl phthalate (DAP)(UL-94V-0).
ACTUATOR : Nylon.
HOUSING : Stainless steel.
TERMINAL/CONTACT : Brass, with silver plated.
 G: gold plated.
SWITCH SUPPORT : Brass, tin plated.



P.C. MOUNTING



Schematic



Model NO.	TYPE		
	ON	NONE	ON
SL19-124	ON	NONE	ON
Tem. Comm.	2-1	OPEN	2-3

REVISION	DESCRIPTION	REVISED BY	TOLERANCES .X± .XX±		ANGLE 1/2°	UNIT	mm	PART NAME	SL19 SPEC DRAWING	DWG NO
△			DRAWN BY	Alice	DESIGNED BY	蔡劍	SCALE			WS1059C
△	2010.03.19 修改RATING	吳美玉	CHECKED BY		APPROVED BY		DATE	2009.12.31	PART NO	
△	2009.12.31 修改柄尺寸,原4.7	吳美玉							SL19-124	
△	2009.10.12 換新圖框,重新出圖	吳美玉								