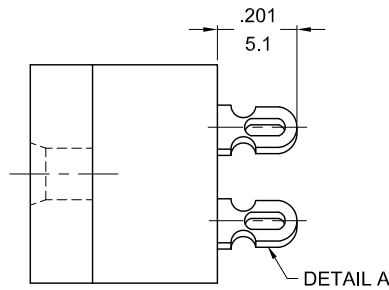
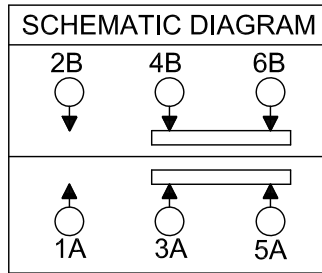
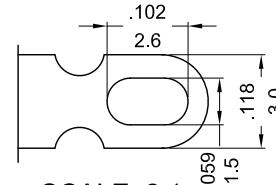


# 嘉尼企業股份有限公司 CANAL ELECTRONIC CO.,LTD.



DETAIL A: TERMINAL,  
thickness: 0.8±0.03mm



SCALE 2:1

## SLIDE SWITCH MODEL SL14

RATING: 12A 125/250VAC (UL/CUL)

10A 250VAC (CQC)

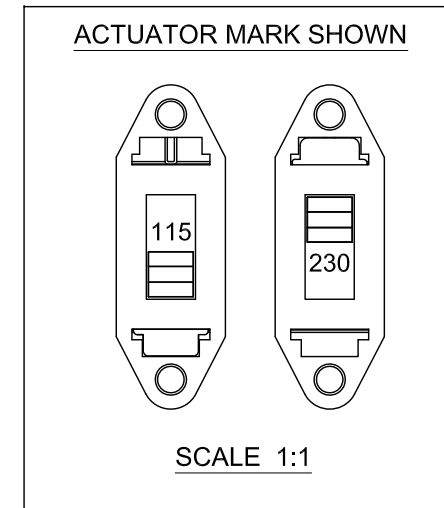
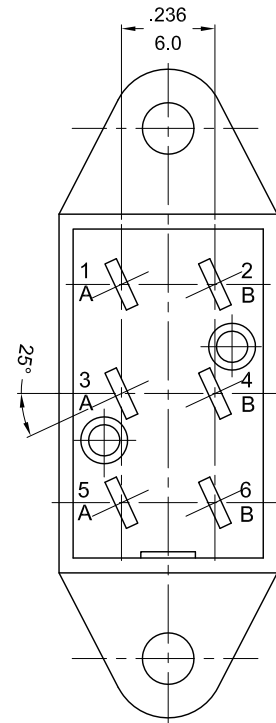
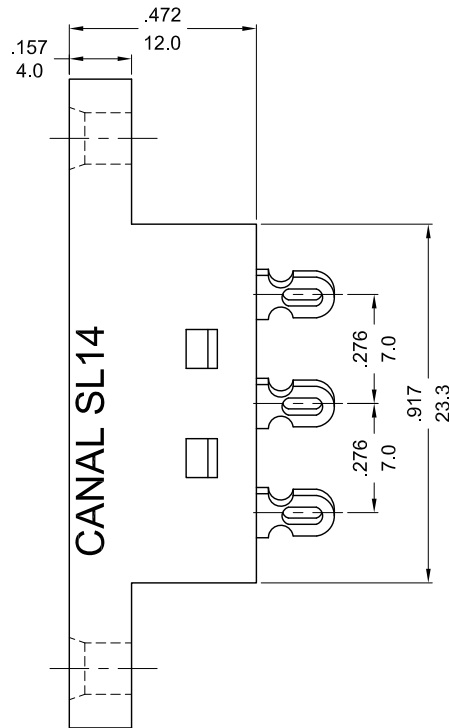
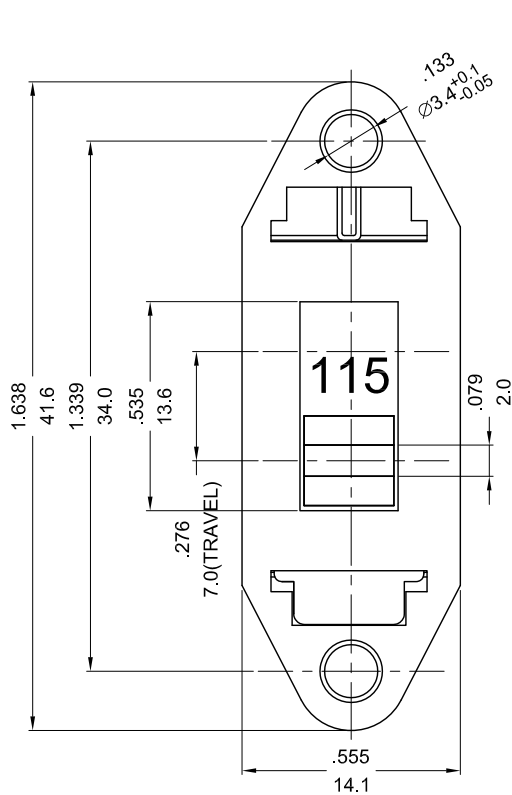
10(1)A 250V~ μT85/55 (ENEC 10/VDE)

4(2)A 250V~ μT85/55

CONTACT RESISTANCE: 20mΩ INITIAL (MAX)

INSULATION RESISTANCE: DC 500V 100MΩ(MIN)

DIELECTRIC STRENGTH: 1,000VAC FOR 1 MINUTE



NOTE: TOLERANCES UNLESS OTHERWISE SPECIFIED: ± .012/0.3 (in/mm)

REVISION	DESCRIPTION	REVISED BY	TOLERANCES		ANGLE $\frac{1}{2}^\circ$	UNIT	mm	PART NAME	DWG NO
④			DRAWN BY	周春濤	DESIGNED BY	戴德建	SCALE	2/1	SL14 SPEC DRAWING
③			CHECKED BY		APPROVED BY		DATE	2009.06.23	SL14-22AH(1A)NC
②	2013.01.22 取消CSA，重新出圖	向宏							S2828B
①	2009.06.23 首次出圖	周春濤							