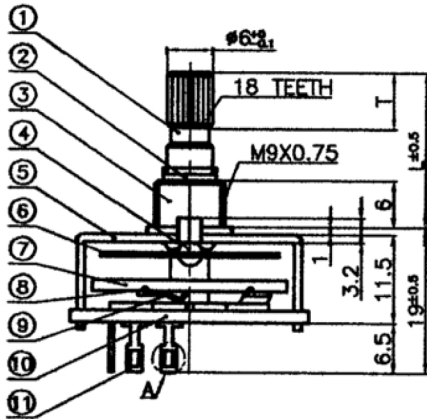
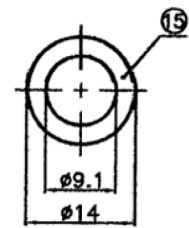


NUT 1PC

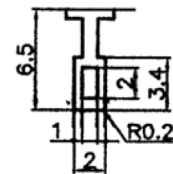


WASHER t=0.4

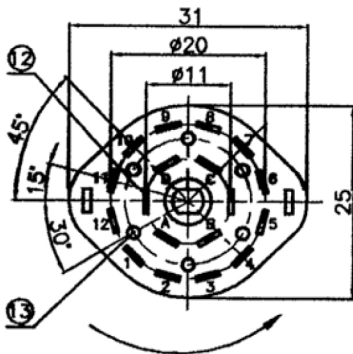


Ninigi

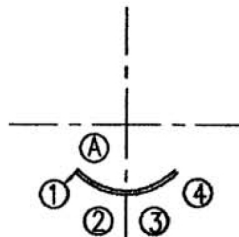
DETAIL A



t=0.5



DIRECTION OF ROTATION



SCHEMATIC

1 Pole	Position			
A	1	2	3	4

17	WZZ-032	Butter									
16	G-355	Grease									
15	W-9	Washer	1	Steel t=0.4	Zinc Plating						
14	N-9	NUT	1	Steel t=2	Zinc Plating						
13	SR2512-N	Washer	1	POM	No Plating						
12	SR25105-3	Internal terminal	1	Brass t=0.5	Ag Plating						
11	SR25105N	External terminal	4	Brass t=0.5	Ag Plating						
10	SR2511-6N	Element	1	Phenolic t=1.5	No Plating						
9	SR2506	Contact Piece	1	Phosphor-bronze t=0.1	Ag Plating						
8	SR2517	Rivet	1	Aluminum	Degrease						
7	SR2519N-6	Change Plate	1	Phenolic t=1.5	No Plating						
6	SR2515	Spring Piece	1	Stainless Steel t=0.3	Ni Plating						
5	SR2527	Steel Ball	1	Steel	Ni Plating						
4	SR2509-3	Foreplate	1	Steel t=0.8	Zinc Plating	△					
3	SR2502	Bushing	1	Zinc	No Plating	△					
2	SR2521	Wash	1	Steel t=1.0	Zinc Plating	△					
1	SR2501-K	Shaft	1	Aluminum	No Plating	△					

NO	MODEL	L	T	NO	MODEL	L	T
	10K	10	1.6		11.5K	11.5	3.5
✓	15K	15	5		16K	16	5
	20K	20	9		17.5K	17.5	5
	25K	25	13				
	30K	30	13				

NO	Part No	Description	Q'TY	Material	Finishing	MODEL	SR251-1-4-15	K-9-N	A
TOLERANCES		DIMENSION	SCALE	DRAWING BY	CHECKED BY	APPROVED BY	DRAWING NO.		
less than 10	± 0.3	m/m	/				SR251-K-058		
above 10 - 30	± 0.5								
above 30 - 100	± 1.0								
angular dimension	± 5°				Switch \SR25\Spec				