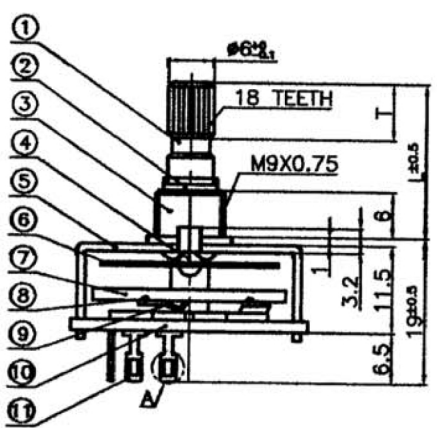
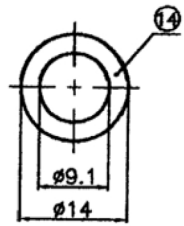


NUT 1PC

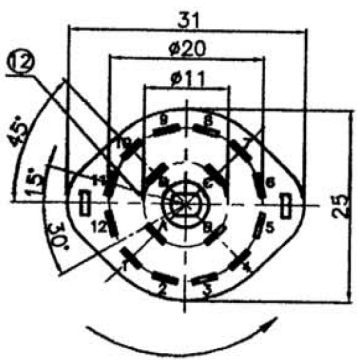
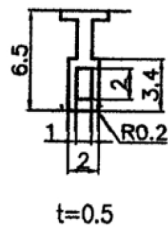


WASHER t=0.4

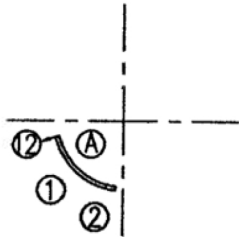


Ninigi

DETAIL A



DIRECTION OF ROTATION



SCHEMATIC

1 Pole	Position		
A	12	1	2

16	WZZ-032	Butter			
15	G-355	Grease			
14	W-9	Washer	1	Steel t=0.4	Zinc Plating
13	N-8	NUT	1	Steel t=2	Zinc Plating
12	SR25105-3	Internal terminal	1	Brass t=0.5	Ag Plating
11	SR25105N	External terminal	3	Brass t=0.5	Ag Plating
10	SR2511-4	Element	1	Phenolic t=1.5	No Plating
9	SR2506	Contact Piece	1	Phosphor-bronze t=0.1	Ag Plating
8	SR2517	Rivet	1	Aluminum	Degrease
7	SR2518N-4	Change Plate	1	Phenolic t=1.5	No Plating
6	SR2515	Spring Piece	1	Stainless Steel t=0.3	Ni Plating
5	SR2527	Steel Ball	1	Steel	Ni Plating
4	SR2509-3	Foreplate	1	Steel t=0.8	Zinc Plating
3	SR2502	Bushing	1	Zinc	No Plating
2	SR2521	Wash	1	Steel t=1.0	Zinc Plating
1	SR2501-K	Shaft	1	Aluminum	No Plating

NO	MODEL	L	T	NO	MODEL	L	T
	10K	10	1.6		11.5K	11.5	3.5
✓	15K	15	5		16K	16	5
	20K	20	9		17.5K	17.5	5
	25K	25	13				
	30K	30	13				

NO	Part No	Description	QTY	Material	Finishing	MODEL	SR251-1-3-15 K-9-S			A
TOLERANCES		DIMENSION	SCALE	DRAWING BY	CHECKED BY	APPROVED BY	DRAWING NO.			
less than 10		± 0.3	m/m	/			SR251-K-057			
above 10 - 30		± 0.5								
above 30 - 100		± 1.0								
angular dimension		± 5								

Switch \SR25\Spec