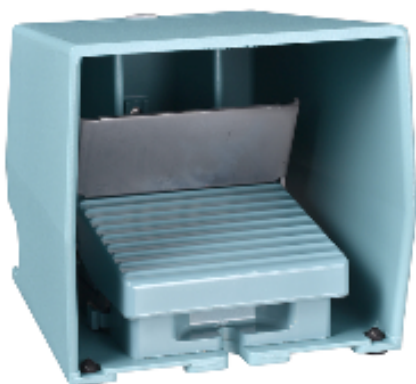


XPEM511

single foot switch - IP66 - with cover - metallic - blue - 2 NC + 2 NO



Main

| | |
|-------------------------------|------------------------|
| Range of product | Harmony XPE |
| Product or component type | Foot switch |
| Material | Metal |
| Foot switch type | Single foot switch |
| Device short name | XPEM |
| Provided equipment | Cover |
| Trigger mechanism | With trigger mechanism |
| Contact operation | 1 step |
| Contacts type and composition | 2 NC + NO |
| Colour | Blue |

Complementary

| | |
|--|--|
| Positive opening | With conforming to EN/IEC 60947-5-1 appendix K |
| Connections - terminals | Screw clamp terminal : $\leq 1 \times 2.5 \text{ mm}^2$ with or without cable end Screw clamp terminal : $\leq 2 \times 1.5 \text{ mm}^2$ with or without cable end |
| Cable entry | 2 entries tapped for Pg 16 cable gland |
| Mechanical durability | 15000000 cycles |
| [Ie] rated operational current | 3 A, 240 V, AC-15, A300 0.27 A, 250 V, DC-13, Q300 conforming to EN/IEC 60947-5-1 appendix A |
| [Ui] rated insulation voltage | 300 V conforming to CSA C22.2 No 14 500 V, degree of pollution: 3 conforming to EN/IEC 60947-1 500 V, degree of pollution: 3 conforming to NF C 20-040 group C 500 V, degree of pollution: 3 conforming to VDE 0110 group C 300 V conforming to UL 508 |
| [Uimp] rated impulse withstand voltage | 6 kV conforming to EN/IEC 60947-1 |
| Resistance across terminals | $\leq 25 \text{ MOhm}$ conforming to IEC 60255-7 category 3 $\leq 25 \text{ MOhm}$ conforming to NF C 93-050 method A |
| Short-circuit protection | 10 A by cartridge fuse type gG conforming to EN/IEC 60947-5-1 10 A by cartridge fuse type gG conforming to VDE 0660-200 |

| | |
|------------------------------|--|
| Rated operational power in W | 10 W DC-13, operating rate: 60 cyc/mn, 5000000 cycles, 24 V, load factor: 0.5 conforming to EN/IEC 60947-5-1 appendix C 4 W DC-13, operating rate: 60 cyc/mn, 5000000 cycles, 120 V, load factor: 0.5 conforming to EN/IEC 60947-5-1 appendix C 7 W DC-13, operating rate: 60 cyc/mn, 5000000 cycles, 48 V, load factor: 0.5 conforming to EN/IEC 60947-5-1 appendix C |
| Product weight | 2.59 kg |

Environment

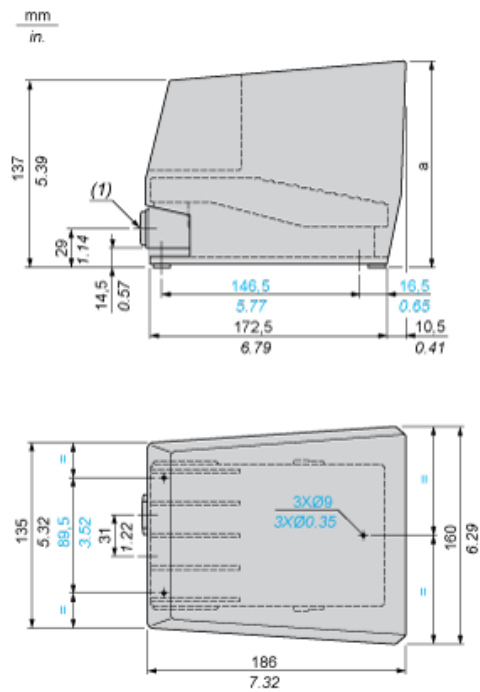
| | |
|---------------------------------------|---|
| Standards | NF E 09-031 |
| Product certifications | CSA FIMKO |
| Protective treatment | TC |
| Ambient air temperature for operation | -25...70 °C |
| Ambient air temperature for storage | -40...70 °C |
| Vibration resistance | 15 gn (f = 10...500 Hz) conforming to IEC 60068-2-6 |
| Shock resistance | 150 gn conforming to NF E 09-031 20 gn conforming to IEC 60068-2-27 |
| Overvoltage category | Class I conforming to EN/IEC 61140 Class I conforming to NF C 20-030 |
| IP degree of protection | IP669 conforming to NF C 20-010 IP66 conforming to IEC 60529 |

Contractual warranty

| | |
|-----------------|-----------|
| Warranty period | 18 months |
|-----------------|-----------|

Single Pedal Metal Foot Switch with Protective Cover

Dimensions



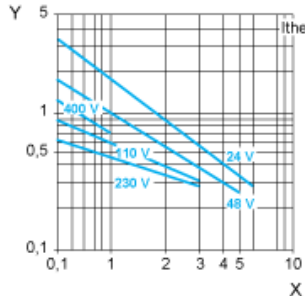
(1) 2 tapped entries for n° 16 (Pg 16) cable gland. For ISO M20, use adaptor DE9RA620.

Electrical Durability of Contacts

AC-15 Utilization Category

Operating rate: 3600 operating cycles/hour. Load factor: 0.5.

Inductive circuit:



X Current in A
Y Millions of operating cycles

DC-13 Utilization Category

Refer to the product characteristic "Operational power in W".