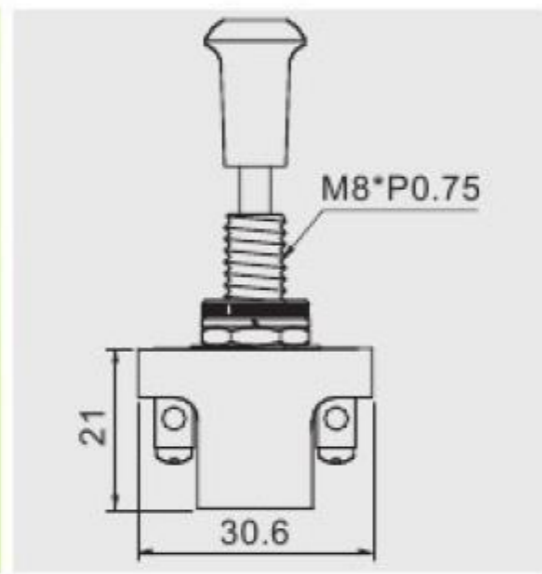


A3-5 -



10A 12V DC

∅ 8.5



BUTTON

A A3-5F-3A

B A3-5-3

C A3-5C-3B

ENCLOSURE

A 20.7mm

B 7.2mm

C 14.5mm

TERMINAL

-    .250" SQ
-    SC M3