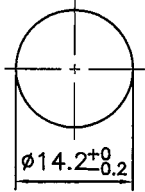
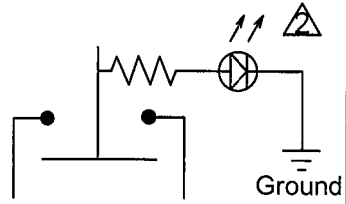
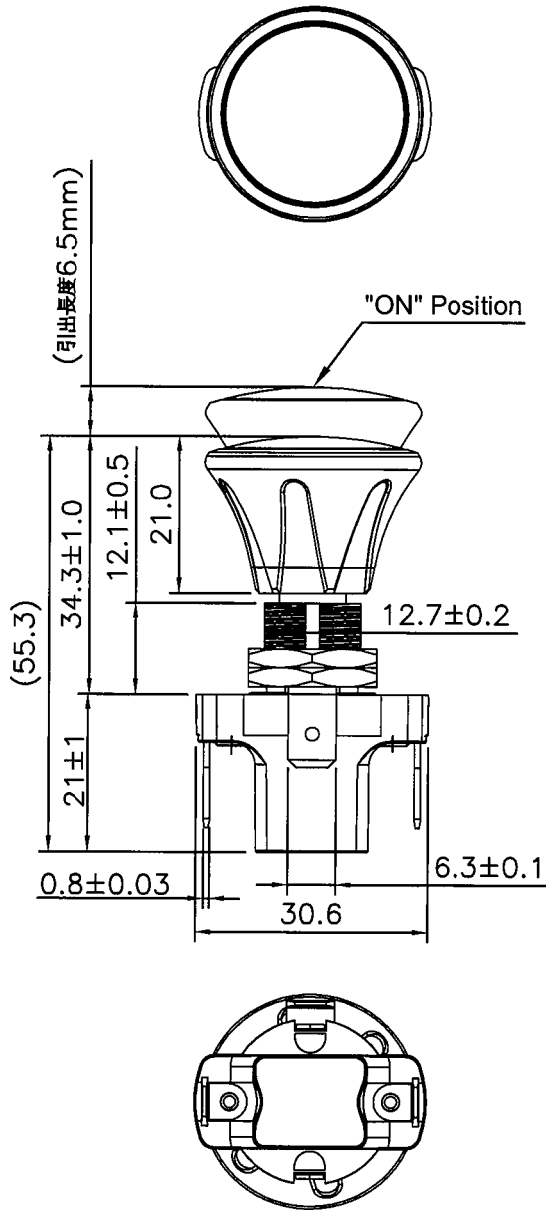
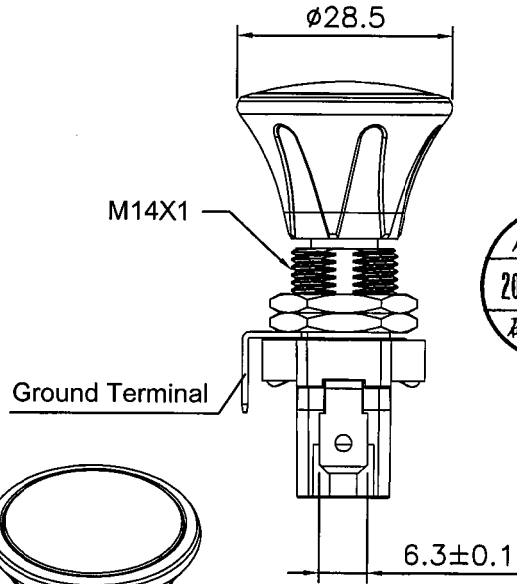


Rating	10A 14V DC		
Contact Resistance	50m ohm Max		
Insulation Resistance	DC 500V 100M ohm Min.		
Dielectric Strength	AC 500V 1 minute		
Switch Function	PUSH OFF/PULL ON(LED dependent)		
		Panel thickness:6mm Max.	



Material:
 Base: Black, PF
 Actuator: Black, ABS
 Lens: Green clear, PC
 Terminals: Ni-Plated, Brass Alloy
 Ground Terminal: Brass
 LED: White



原稿
 2017.9.20
 研發部

Tolerances ± 0.3 Unless Otherwise Specified

									△
9/13/17	林玥呈	Bi polar LED changed to one polar LED.							△
5/6/15	B.S.Wang	To revise model no. from A3-30LB3-01 to A3-30L3B-01							△
Date	Name	Description							No.
Drawn	Checked	Approved	SCI BOM No.	1120331	Model Name	PUSH PULL SWITCH			
林玥呈		王偉	Customer No.		Model No.	A3-30L3B-01-HH	Rev.		
9/13/17		9/13/17	Unit	mm	Shin Chin Industrial Co., Ltd.				2