


# TACT AND KEY SWITCHES

PRODUCT NUMBER 6450.0005



## TECHNICAL DATA

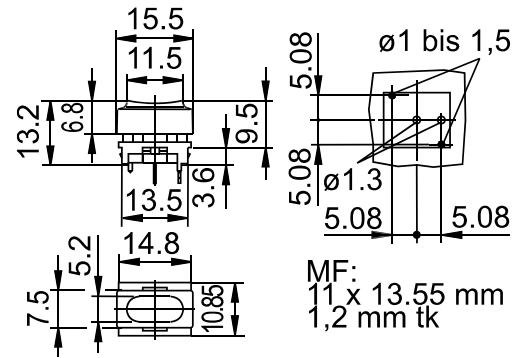
<b>Product number</b>	<b>6450.0005</b>
Actuator color / printing	
Product family	Tact and key switches
Actuation type	direct
Pitch	16 x 13 mm
Weight	1.000 g
ROHS conform	yes
Switching function	Normally open contact (SPNO)
Material fixed contact	Au
Number of poles	1 - pole
connections	PCB terminal
Mechanical life endurance	1E6 by 10mA 12V
Rating IEC	100 mA 28 V
Contact resistance (new condition)	< 250 mOhm
Insulation resistance (new condition)	> 100 MOhm
Ambient temperature	-20 °C ... +80 °C
Storage temperature	-55 °C ... +75 °C
Actuators and additional actuators	key cap: PA, anthracite, similar RAL 9011

Housing description	base plate: PBTP, black	
Connection surface	→ bearing connection → external connection	tinned tinned
Contact material	Au	
Contact distance	< 3 mm	
Contact type	lifting contact	
Operating force	0.7 N	
Bounce time	< 5 ms	
Total travel / stroke	1.4 ± 0.2 mm	
Miscellaneous	anthracite similar to RAL 9011	
Type of fastening	Snap fastening	
Stock version	●	

## PRODUCT IMAGE



## DRAWINGS



Technical changes reserved. Dimensions are not binding.  
Detailed specifications available on request.

---

Marquardt GmbH · Schloss-Straße 16 · 78604 Rietheim-Weilheim · Germany  
Phone: +49 (0) 7424 / 99-0 · Fax: +49 (0) 7424 / 99-2399 · [www.marquardt.com](http://www.marquardt.com) · [marquardt@marquardt.de](mailto:marquardt@marquardt.de)