

SNAP-ACTION SWITCHES

PRODUCT NUMBER 1117.0106



TECHNICAL DATA

Product number	1117.0106
Product family	Snap-action switches
Actuation type	indirect
Weight	11.000 g
ROHS conform	yes
Switching function	Normally open contact (SPNO)
Material fixed contact	Ag
Number of poles	1 - pole
connections	Quick-connect terminal, 6.3 x 0.8
Mechanical life endurance	10E4
Rating IEC	16 (6) A 400 V AC 1E4
Rating North America	12 A 125 V AC 1/6 HP 12 A 250 V AC 1/2 HP
Contact resistance (new condition)	< 100 mOhm
Insulation resistance (new condition)	> 100 (500 V DC) MOhm
Voltage strength at 250 V	→ function insulation / basic insulation 1 500 V → reinforced insulation 3 000 V
Proof tracking	250 PTI
Insulation spacing	acc. to EN 61058 for reinforced or double insulation

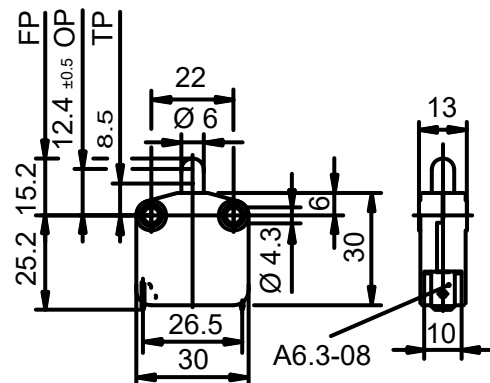
Protection type	→ Connection → Actuator	IP 40 IP 40
Ambient temperature	-40 °C ... +85 °C	
Storage temperature	-40 °C ... +85 °C	
Flammability	UL 94 V-0	
Glow wire test temperature	850 °C	
Actuators and additional actuators	actuator: PA glass fiber-reinforced, natural	
Housing description	housing: PA glass fiber-reinforced, natural	
Connection surface	→ bearing connection → external connection	silver plated silver plated
Contact material	Ag	
Contact distance	≥ 3 mm	
Rating Code UL	R 84	
Contact type	jump contact	
Operating force	3.5 ±0.5 N	
Difference travel max.	2.6 mm	
Pretravel max.	3.3 mm	
Overtravel	3.4 mm	
Free position (FP) max.	15.2 mm	
Operating position (OP)	12.4 ±0.5 mm	
Permissible total travel position	8.5 mm	
Approval marks	CSA / UL / ENEC 05	
Suitable for appliances of protection class	II	
EN 60335 cap. 30 conform "G"	yes	
Additional labeling	T.-Nr. 06057400 / site, year, week of manuf.	

Additional labeling packing	T.-Nr. 06057400
Degree of pollution	3
Stock version	●

PRODUCT IMAGE



DRAWINGS



Technical changes reserved. Dimensions are not binding.
Detailed specifications available on request.

Marquardt GmbH · Schloss-Straße 16 · 78604 Rietheim-Weilheim · Germany
Phone: +49 (0) 7424 / 99-0 · Fax: +49 (0) 7424 / 99-2399 · www.marquardt.com · marquardt@marquardt.de