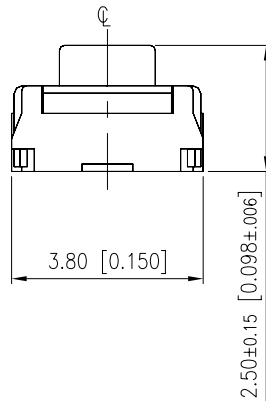
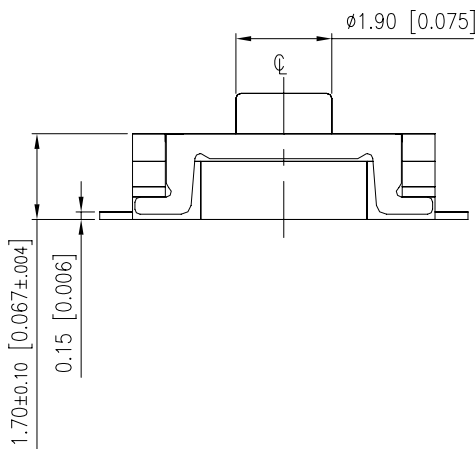
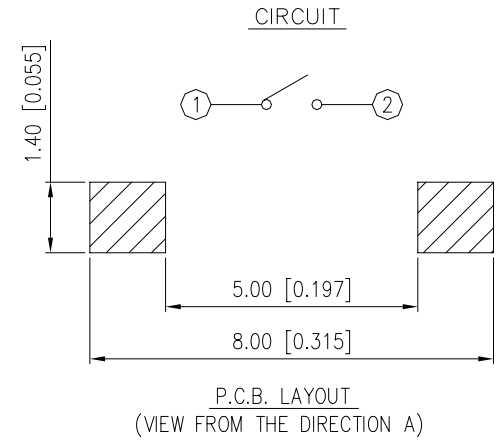
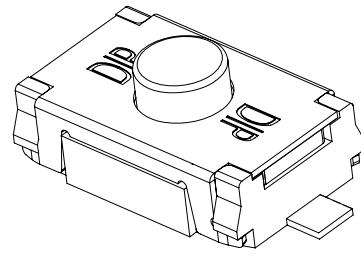
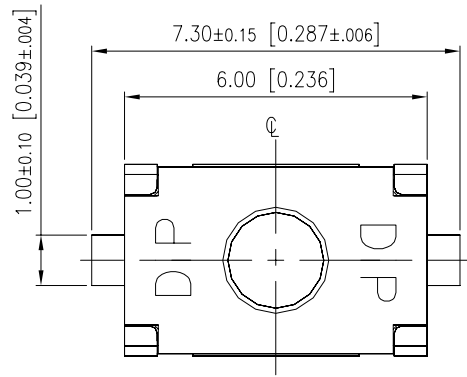


TAE SERIES



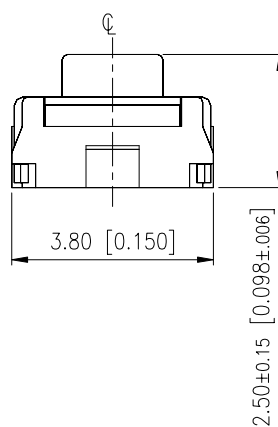
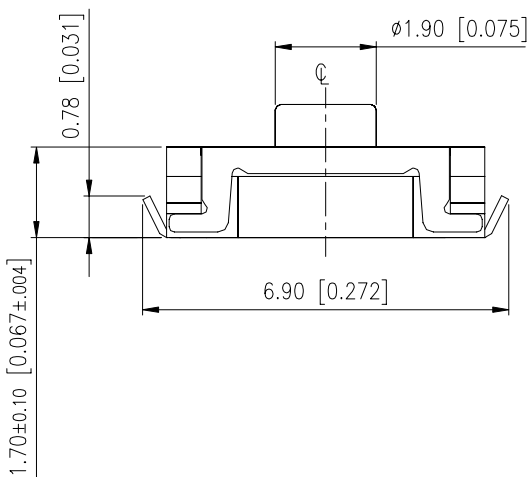
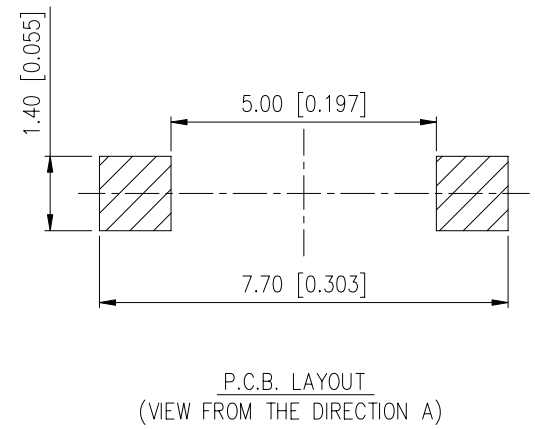
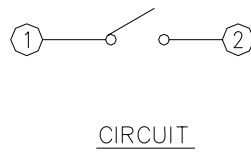
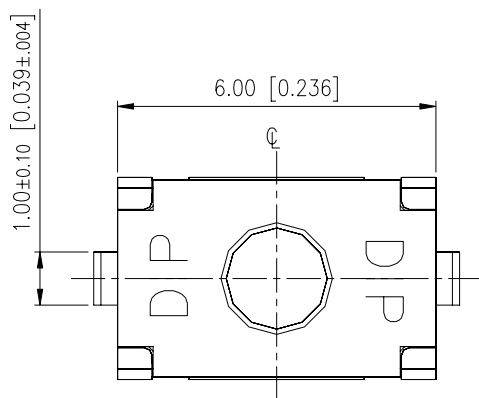
DIMENSIONS

TAEF-25



General Tolerance : ±0.2mm

TAEL-25



Type	Operation Force	Operation Life	Travel	Contact Material
TAEL-25N-V	200±50gf	200,000	0.30±0.15	Silver
TAEL-25R-V	300±75gf	200,000	0.35±0.15	Silver
TAEL-25S-V	450±110gf	100,000	0.45±0.15	Silver
TAEL-25NA-V	200±50gf	200,000	0.30±0.15	Gold
TAEL-25RA-V	300±75gf	200,000	0.35±0.15	Gold
TAEL-25SA-V	450±110gf	100,000	0.45±0.15	Gold

HOW TO ORDER

TAE - - V -

Package Style :
T/R=Type & Reel

Soldering :
V=Lead Free

A=Dome Plating Gold
=Dome Plating Silver

Operating Force :
N=200gf
R=300gf
S=450gf

Dimension H :
25=2.5mm

F=Flat terminal
L= Bending terminal
3.8X6mm Thinner Type Tactile Switch

SPECIFICATION

△MECHANICAL

Operation Force: N : 200gf
R : 300gf
S : 450gf

Stroke: N : 0.30±015mm
R : 0.35±015mm
S : 0.45±015mm

Operation Temperature: -40°C~85°C
Storage Temperature: -40°C~85°C

△ELECTRICAL

Electrical Life: N : 200,000 cycles
R : 200,000 cycles
S : 100,000 cycles

Rating:25mA , 24VDC

Contact Resistance: 100mΩ max.

Insulation Resistance: 100MΩ min.

Dielectric Strength: 300VAC/1 minute

MATERIAL

△COVER: Stainless steel

△STEM: Rubber

Color: Black

△DOME : Stainless steel with silver plating

△BASE : LCP High-temp thermoplastic

Color: Black

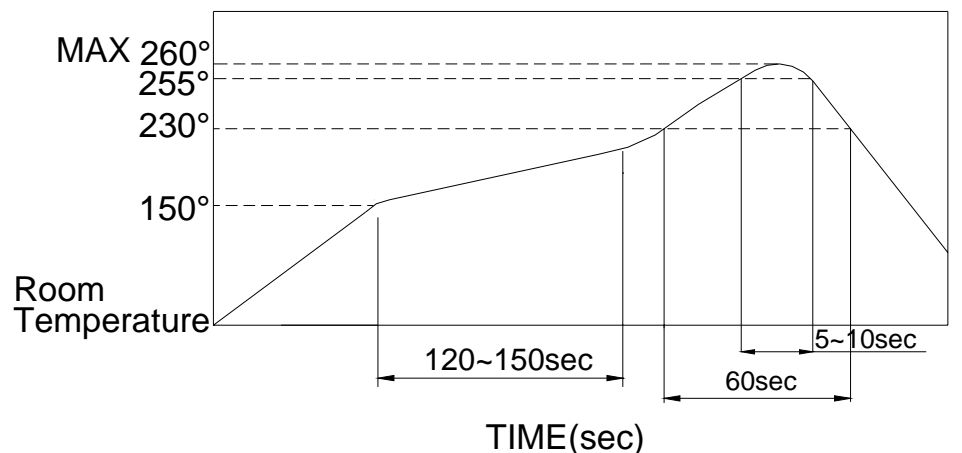
△TERMINAL : Phosphor bronze, with silver plating

SOLDERING PROCESS

△HAND SOLDERING : Use a soldering iron of 30 watts, controlled at 350°C approximately max 5 seconds while applying.

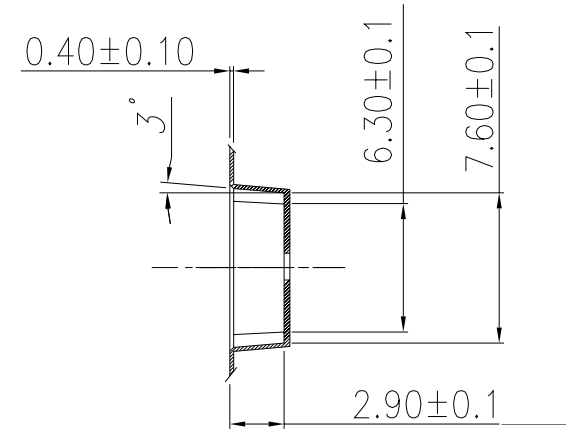
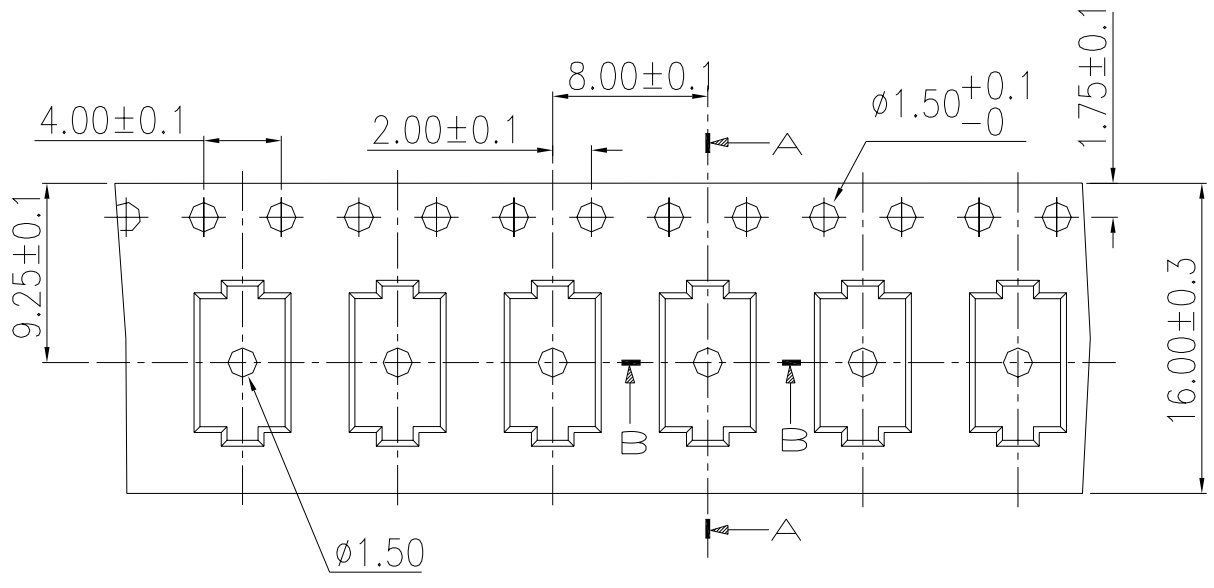
△REFLOW SOLDERING: When applying reflow soldering, the peak temperature or the reflow oven should be set to 260°C max.

△Reflow Temperature Profile:

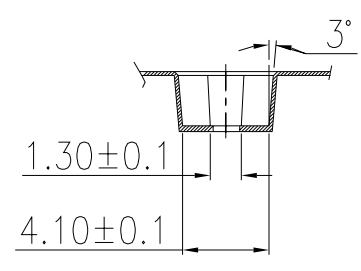


PACKING

Part Number	Number Per Reel	
TAE	2700	



A-A Section



B-B Section