



MICRO SWITCH

FREEPORT, ILLINOIS, U.S.A.
A DIVISION OF HONEYWELL

FED. MFG. CODE 91929

SWITCH - BASIC

CATALOG LISTING

BZ - 2RD

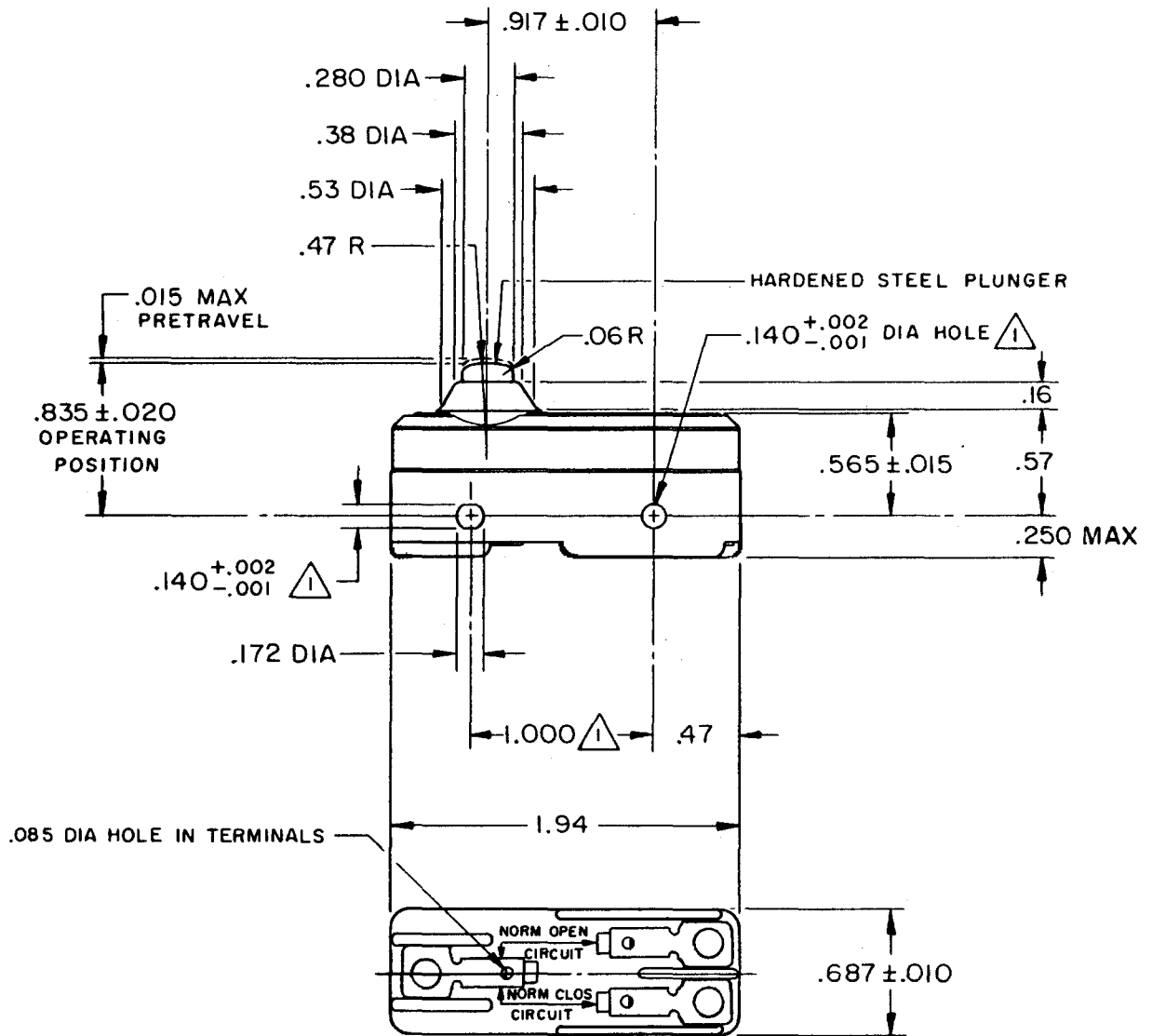
AHD0500&JG06350

DRAWING NUMBER
BZ - 2RD
PAGE 1 OF 1

ISSUE
M
18

RELEASE NO.
RJ 17FEB06

REVISIONS	
A	CO17410 8 CH 9 SEP 63
B	CO31863 S R H 27 MAR 73
C	CO46304 R J H 21 NOV 79
D	CO 58037 SMA 1 OCT 85
E	CO- 78874
F	DIT CO93346 17 NOV 94
G	DLT CO- 94212-J 4 OCT 99
H	0014573 KRB 19 JUL 05
J	0018448 DVM 17 FEB 06



NOTE
 MOUNTING HOLES WILL ACCEPT PINS OR SCREWS OF .139 MAX DIA ON 1.000±.002 CENTERS

THIS DRAWING COVERS A PROPRIETARY ITEM AND IS THE PROPERTY OF MICRO SWITCH, A DIVISION OF MINNEAPOLIS-HONEYWELL REGULATOR CO. THIS DRAWING IS NOT TO BE COPIED OR USED WITHOUT THE APPROVAL OF MICRO SWITCH.

CHARACTERISTICS	ELECTRICAL DATA	SCALE FULL
OPERATING FORCE ----- 9 - 13 OZ	CONTACT ARRANGEMENT S P D T	DO NOT SCALE PRINT
RELEASE FORCE ----- 4 OZ MIN	UNDERWRITERS' LAB. INC. LISTED RATING 15A - 125, 250 OR 480 VAC, 2A - 600 VAC	UNLESS OTHERWISE NOTED DIMENSIONS ARE IN INCHES
DIFFERENTIAL TRAVEL ----- .0004 - .0020	-L74- 1/8HP - 125 VAC; 1/4HP - 250 VAC 1/2A - 125 VDC; 1/4A - 250 VDC	TOLERANCES ARE:
OVERTRAVEL ----- .060 MIN	-L288- -L315- -L306-	ONE PLACE (.0) ±.030 TWO PLACE (.00) ±.015 THREE PLACE (.000) ±.005 ANGLES ±
	16A 250V ~ T85 5E4	WEIGHT .051 LB

FORMTEK
FO-30378

DRAWN
G C H 9 SEP 63

REPLACES
RJ 17FEB06
CHECK
RJ 19 JUL 05
CHECK
RJ 30 SEPT 63
CHECK
D A W
CHECK
D A W