

DO NOT SCALE PRINT

Honeywell

SWITCH-BASIC

CATALOGUE LISTING
BZ-2R-A2

BZ-2R-A2

M

DRAWING NUMBER

8

RELEASE NUMBER

REVISIONS

7B 2.12.76

CNI0572C

7C 1.6.90

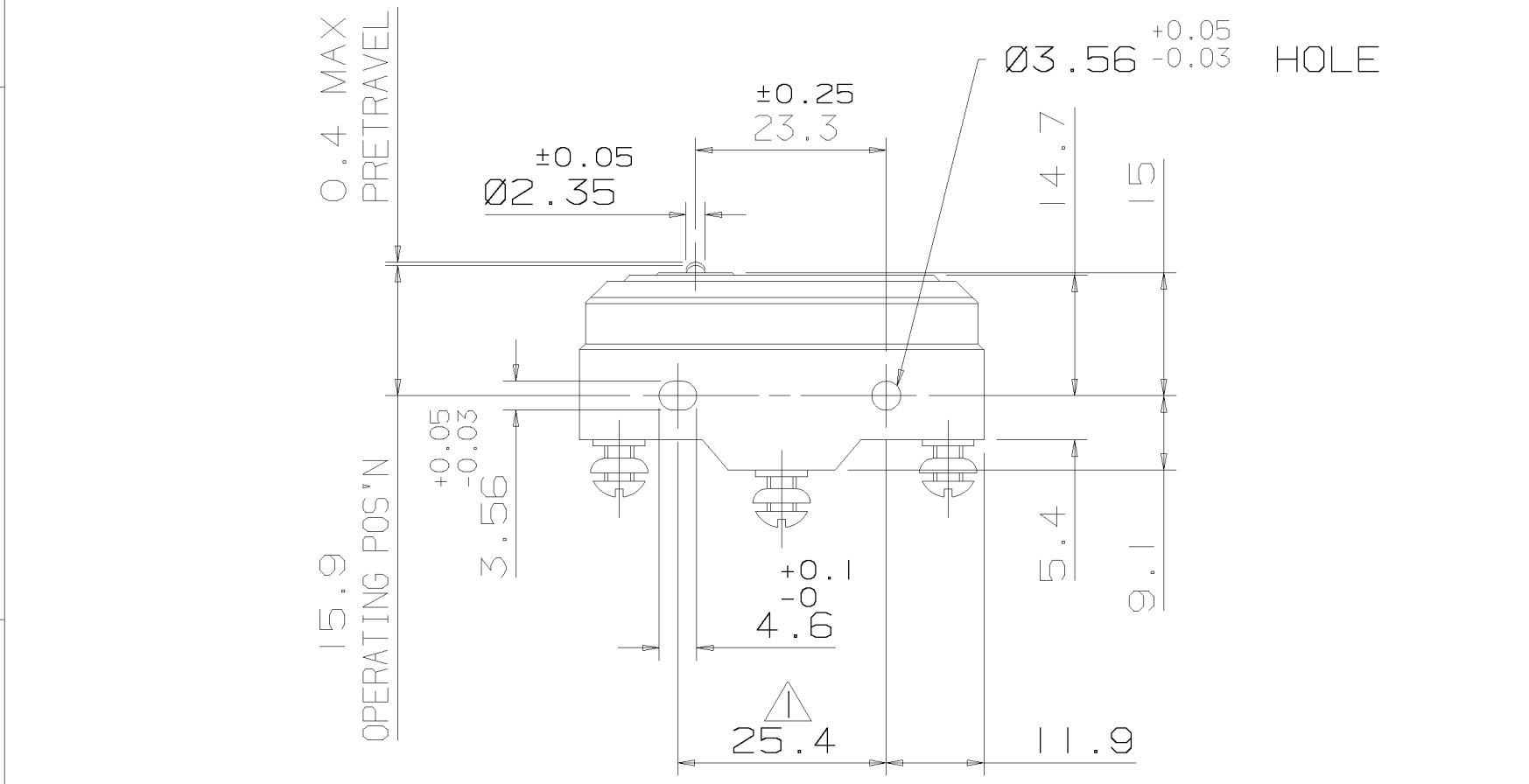
CNI4600

7D 16.1.04

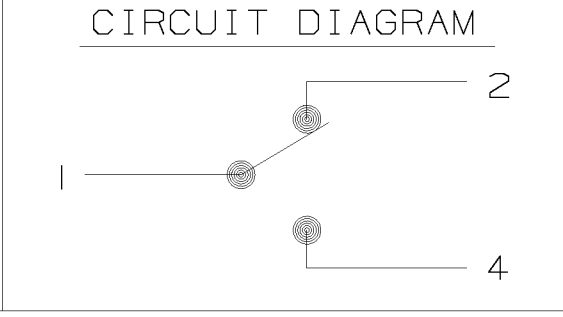
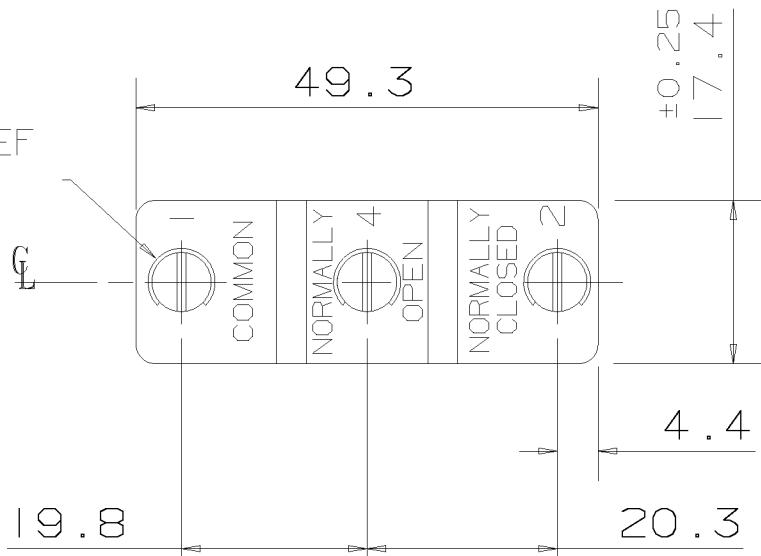
C02730

8 0027214

BS 20DEC06



M3.5 X 0.6 X 5 LONG REF BINDER HEAD TERMINAL SCREWS & CUPWASHERS.



NOTES :-

1. MOUNTING HOLES WILL ACCEPT Ø3.5 MAX PINS OR SCREWS ON 25.4±0.4 CENTRES.

THE COPYRIGHT OF THIS DRAWING IS THE PROPERTY OF HONEYWELL LTD. THE DRAWING IS SUPPLIED IN CONFIDENCE AND MUST NOT BE USED FOR ANY PURPOSE OTHER THAN THAT FOR WHICH IT IS SUPPLIED.

THIRD ANGLE PROJECTION

CHARACTERISTICS		ELECTRICAL DATA		SCALE :- /
OPERATING FORCE	250-370g	CONTACT ARRANGEMENT	BREAK DISTANCE	DIMENSIONS ARE IN MILLIMETRES
DIFFERENTIAL FORCE		S.P.D.T.		
RELEASE FORCE	110g MIN			TOLERANCES UNLESS OTHERWISE STATED
FREE POSITION		15A 125-480 VAC 1/2A 125 VDC 1/4A 250 VDC	REF	±0.4
PRETRAVEL			16A T85	ANGULAR ± MODIFY ON CAD SYSTEM ONLY
DIFFERENTIAL TRAVEL	0.01-0.05		250V ~ 5E4	
OVERTRAVEL	0.13 MIN.			
FULL OVERTRAVEL FORCE				

DRAWN
CHECK
DESIGN
AUTHOR'S N