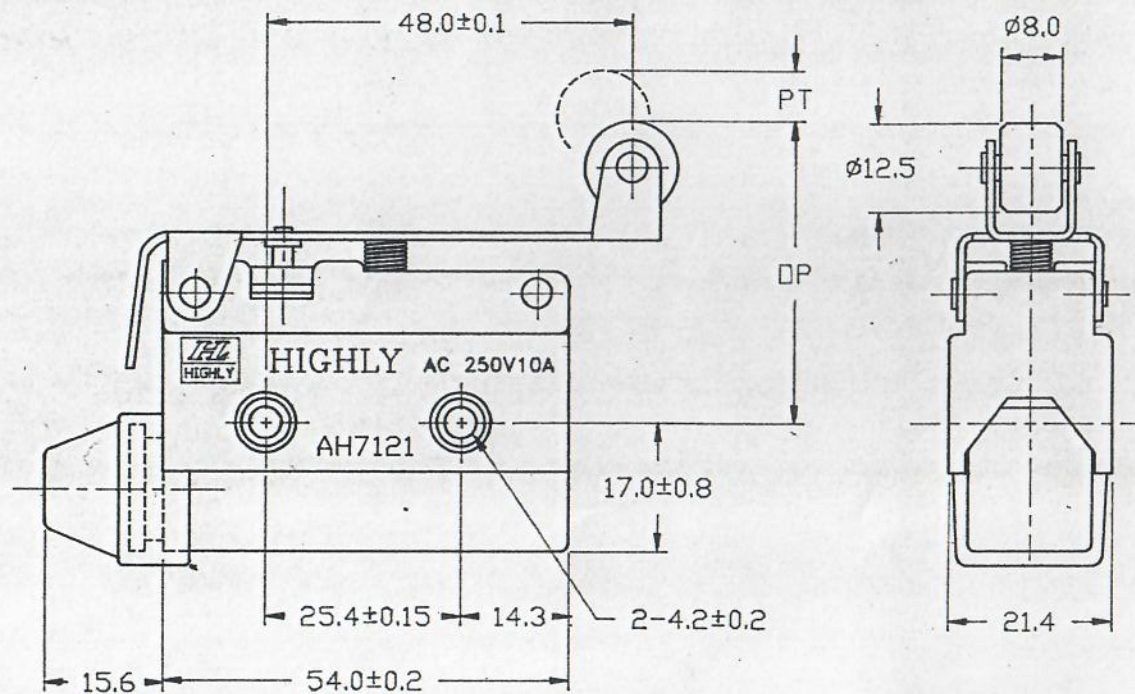


CHARACTERISTICS		Rating	10A 125VAC or 250VAC
Contact resistance	25mΩ max. (initial)	Terminal	
Insulation resistance	100MΩ min. (at 500 VDC)	Item No.	
Dielectric strength	1,000 VAC, 50/60Hz for 1 minute between	OF max.	180g
Mechanically service life	1,000,000 operations min.	RF min.	50g
Electrically service life	100,000 operations min.	PT max.	11.0mm
		OT min.	3.0mm
		MD max.	2.4mm
		OP	42±1.9mm
		FP	---



海立電氣有限公司
HIGHLY ELECTRIC CO LTD

修正REVISION	日期DATE	說明DESCRIPTION	審核CHECKED	單位UNIT	材質MATERIAL	日期DATE	料號TYPE NO.	AH7121
			劉克威 15/8	m/m		81.10.27		
			繪圖DRAWN	比例SCALE	公差TOLERANCE	加工PROCESS	檔名FILE NO.	AH7121
			LIU	1=1	±0.15			