



83123 Standard 831230 Part number



- IP 66 protection
- Compact dimensions

	Type	Function	Connections
MADE TO ORDER	Standard 831230	I (changeover)	A05 VVF cable
MADE TO ORDER	Spherical cover 831230	I (changeover)	A05 VVF cable

Electrical characteristics

Rating nominal / 250 VAC (A)	5
Rating thermal / 250 VAC (A)	12
Mechanical characteristics	
Maximum operating force (N)	7,5
Min. Release force (N)	1,5
Maximum total travel force (N)	8
Max. permitted overtravel force (N)	30
Operating position (mm)	11,4 ^{±0,4}
Maximum differential travel (mm)	0,2
Min. overtravel (mm)	0,25
Ambient operating temperature (°C)	0 → +85
Mechanical life (operations)	2 x 10 ⁶
Contact gap (mm)	0,5
Weight (g)	45
Connections	
Connection	Cable 3 x 0.75 mm ² in sheath Ø ext. 7.6 mm max. Standard length 0.50 m

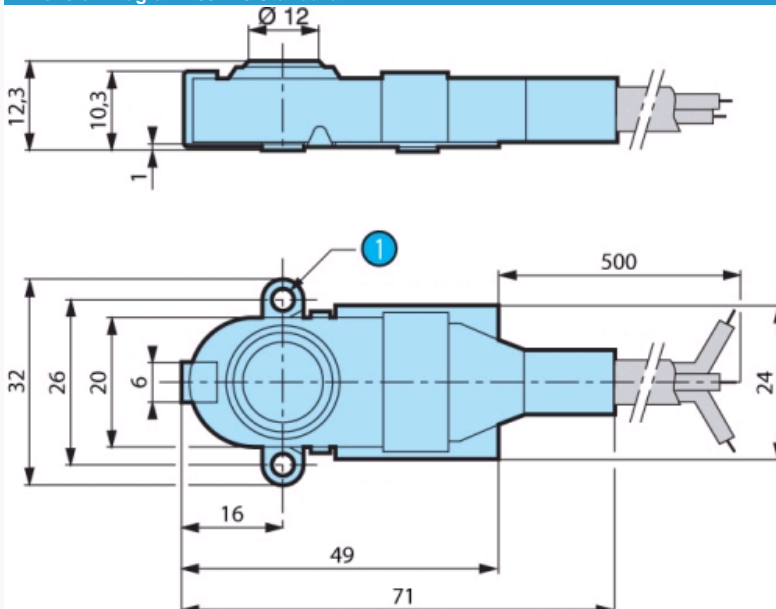
Additional specifications

Components

Material

- Casing: nitrile
- Contacts: silver
- Contact holder: polyamide
- Mounting plate: passivated mild steel (zinc)

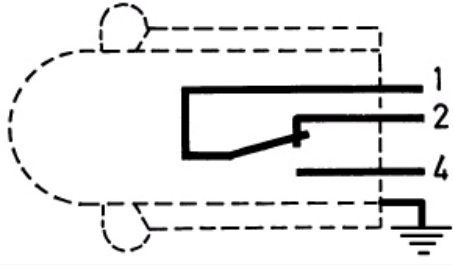
Dimension Diagram : 83 123 Standard



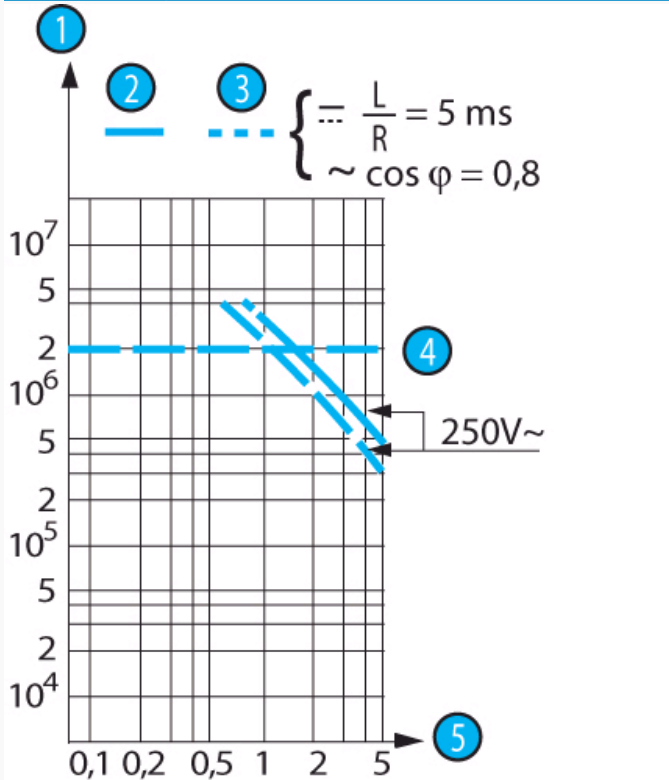
N°

Legend

: Double break changeover switch



Curves : Operating curve



N°	Legend
1	Number of cycles
2	Resistive circuit
3	Inductive circuit
4	Mechanical life limit
5	Current in Amps

Special adaptations

- Special casing, leads, cables for specific environment