

# SNAP-ACTION SWITCHES

PRODUCT NUMBER 1050.5702



## TECHNICAL DATA

<b>Product number</b>	<b>1050.5702</b>	
Product family	Snap-action switches	
Actuation type	indirect	
Weight	2.100 g	
ROHS conform	yes	
Switching function	Changeover switch (SPDT momentary)	
Material fixed contact	Ag	
Number of poles	1 - pole	
connections	Solder terminal, sealed	
Mechanical life endurance	1E6	
Rating IEC	5 A 250 V AC 5E4	
Rating North America	5 A 125 - 250 V AC 1/10 HP	
Contact resistance (new condition)	< 100 (1 A 12 V DC) mOhm	
Insulation resistance (new condition)	> 100 (500 V DC) MOhm	
Voltage strength at 250 V	→ function insulation / basic insulation	1 500 V
	→ reinforced insulation	3 000 V
	→ small contact distance	500 V
Proof tracking	175 PTI	

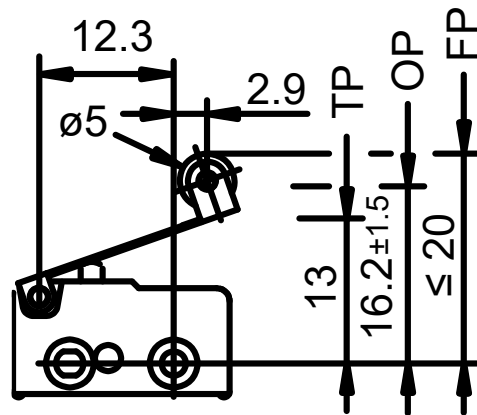
Insulation spacing	acc. to EN 61058 for reinforced or double insulation	
Protection type	→ Connection → Actuator	IP 00 IP 40
Ambient temperature	-40 °C ... +100 °C	
Storage temperature	-40 °C ... +100 °C	
Flammability	UL 94 V-2	
Glow wire test temperature	850 °C	
Actuators and additional actuators	PA, black additional actuator: stainless steel spring steel, L12, lever 2.9 long 3.4 wide with roller diameter 5 of PA gray	
Housing description	housing: PBTP, blue	
Connection surface	→ bearing connection → external connection	silver plated tinned
Contact material	Ag	
Contact distance	< 3 mm	
Rating Code UL	R 56	
Contact type	jump contact	
Operating force	≤ 0.6 N	
Bounce time	< 5 ms	
Difference travel max.	1.0 mm	
Pretravel max.	5.3 mm	
Overtravel	1.7 mm	
Free position (FP) max.	20 mm	
Operating position (OP)	16.2 ±1.5 mm	
Permissible total travel position	13 mm	
Approval marks	ENEC 10 / CSA / UL	

Suitable for appliances of protection class	II
Degree of pollution	2
Stock version	•

## PRODUCT IMAGE



## DRAWINGS



Technical changes reserved. Dimensions are not binding.  
Detailed specifications available on request.

Marquardt GmbH · Schloss-Straße 16 · 78604 Rietheim-Weilheim · Germany  
Phone: +49 (0) 7424 / 99-0 · Fax: +49 (0) 7424 / 99-2399 · [www.marquardt.com](http://www.marquardt.com) · [marquardt@marquardt.de](mailto:marquardt@marquardt.de)