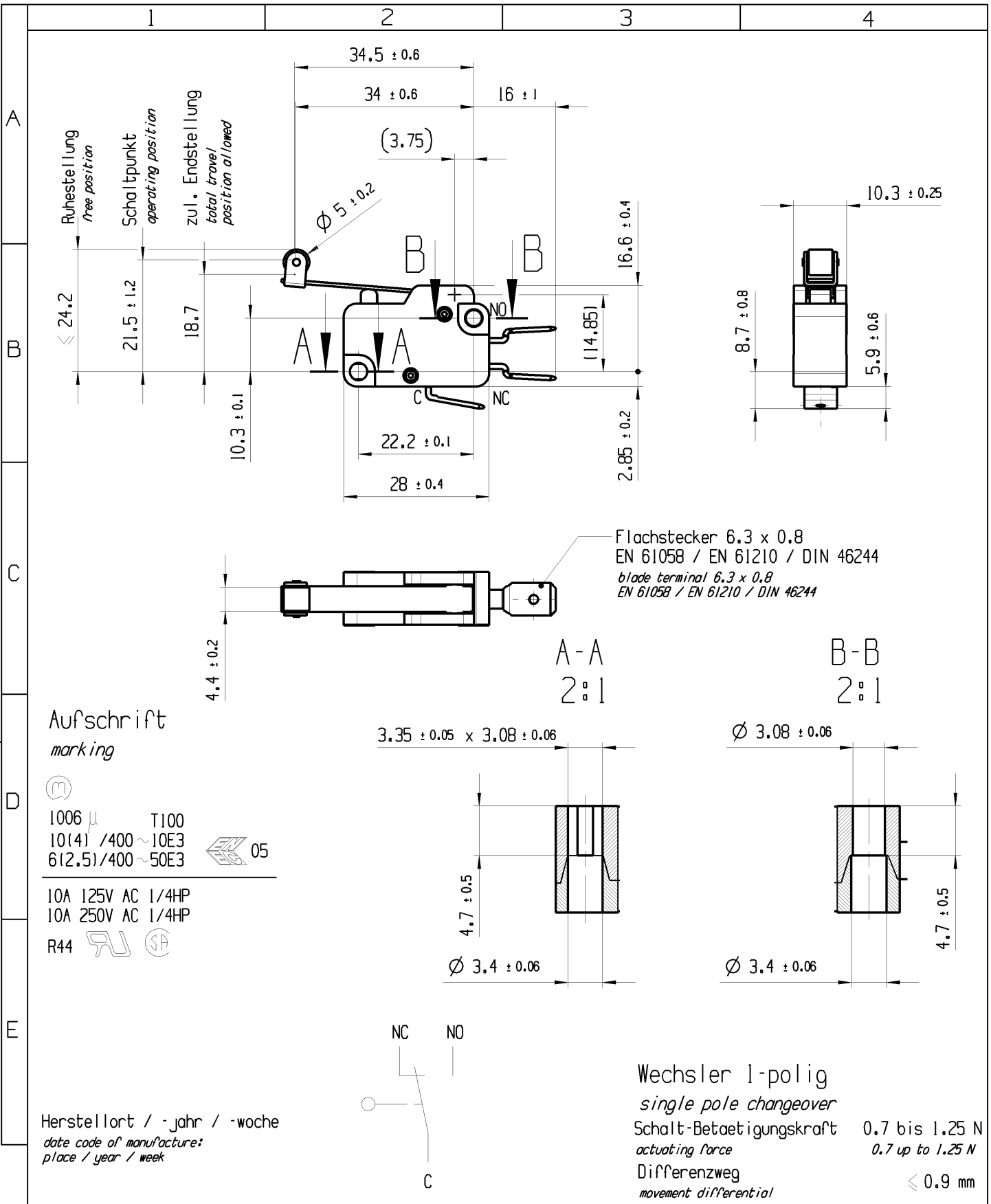


THIS DRAWING IS THE EXCLUSIVE PROPERTY OF MARQUARDT. WITHOUT THEIR CONSENT IT MAY NOT BE REPRODUCED OR GIVEN TO THIRD PARTIES.

CONFIDENTIAL

VERTRAULICH

Alle Rechte bei Marquardt, auch fuer den Fall von Schutzrechtsanmeldungen. Jede Verfertigungsbefugnis, wie Kopier- und Weitergaberecht, bei uns.



General tolerances				Sheet 01			Ident.	Document number	Index			
All dimensions are in millimetres	Shape and location ◎ ≡	Angle ± 2°	Edge tolerance 	Length	Radii	Format DIN A4	Projection 	Scale 1:1	K	10061501	g	
				0-6	± 0.1							± 0.2
				>6-15	± 0.15							± 0.3
				>15-30	± 0.2							± 0.5
				>30-70	± 0.3							
>70-120	± 0.4	± 10%										
>120	± 0.8											
g	109072	2017-08-17		TRIGUIK			Snap action switch					
r	90078	2014-06-23		BRC								
e	87270	2014-01-10		BRC								
d	26264	1999-09-02		PFU								
Index	ECN-No.	Date (YYYY-MM-DD)		Edited by								
				System NX V10.0			 MARQUARDT					
				Replacement of Zg.gl.Nr.v.02.09.1999								