

ERD ROTARY DIP SWITCH

ERD7 SERIES

1. FEATURES:

- 1.1 Low profile of 3.0mm
- 1.2 THR(Through Hole Reflow) version available
- 1.3 Available with spindle or slotted spindle
- 1.4 Supply various switch codes, include Gray code, Real code and Complement code
- 1.5 Gold plated contact area ensures reliable electric continuity for micro current
- 1.6 Surface mounting type can be supplied in embossed taping for automatic packing
- 1.7 Pin-out compatible with most of current equivalents
- 1.8 All plastics are UL 94V-0 grade fire retardant
- 1.9 RoHS compliant

2. SPECIFICATIONS :

2.1 Electrical

- | | |
|---------------------------------|--------------------------------|
| 1. Max. Switching Load | 100 mA, 5 VDC |
| 2. Min. Switching Load | 10 μ A, 5 VDC |
| 3. Contact resistance (initial) | 200 m Ω Max. |
| 4. Insulation resistance | 100 M Ω Min. at 100 VDC |
| 5. Dielectric Strength | 250 VAC rms. for 60 seconds |

2.2 Mechanical and Environmental

- | | |
|---------------------------------|--|
| 1. Temperature Rating | |
| Operating | -25°C to +70°C |
| Storage | -25°C to +85°C |
| 2. Operating force | 510gf-cm Max. |
| 3. Operation life | 10,000 detents Min. |
| 4. Vibration | 10Hz-50Hz-10Hz for 6Hrs. |
| 5. Solderability | After flux 245 \pm 5°C for 5 \pm 1 seconds |
| 6. Resistance to soldering heat | |
| for Through Hole Type | 260 \pm 5°C for 5 \pm 1 seconds |

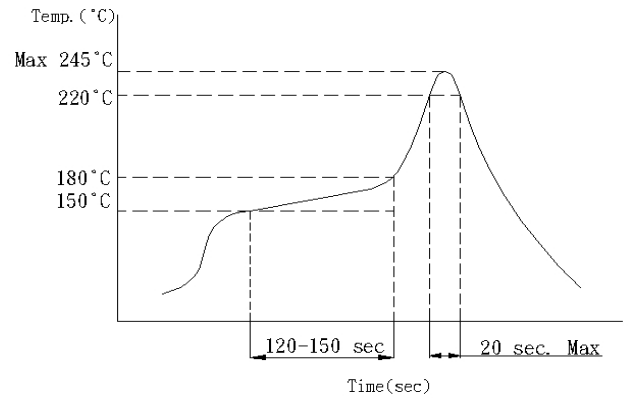
SPECIFICATION

7. Reflow soldering heat for SMT, THR type

Reflow conditions: 220°C, 20 seconds or less,

Peak temperature 245°C or less.

(reference only)



3. OPTIONS :

3.1 Special marking available.

3.2 Tape & Reel Packing (Flat type only & per EIA STANDARD)

3.3 Shaft available. (For Cross shaped slot type only)

4. PACKING :

4.1 PACKING METHOD

Type	Package	Number of pcs. per IC tube	Number of pcs. per Reel
	Top Adjust Type	70	1000
	Side Adjust Type	70	500

4.2 INFORMATION ON LABEL (stuck to each bundle of IC tubes)

(1) DESCRIPTION

(5) ECE MACK

(2) LOT NO.

(6) QC STAMP

(3) QUANTITY

(7) DATE

(4) TESTER NO.

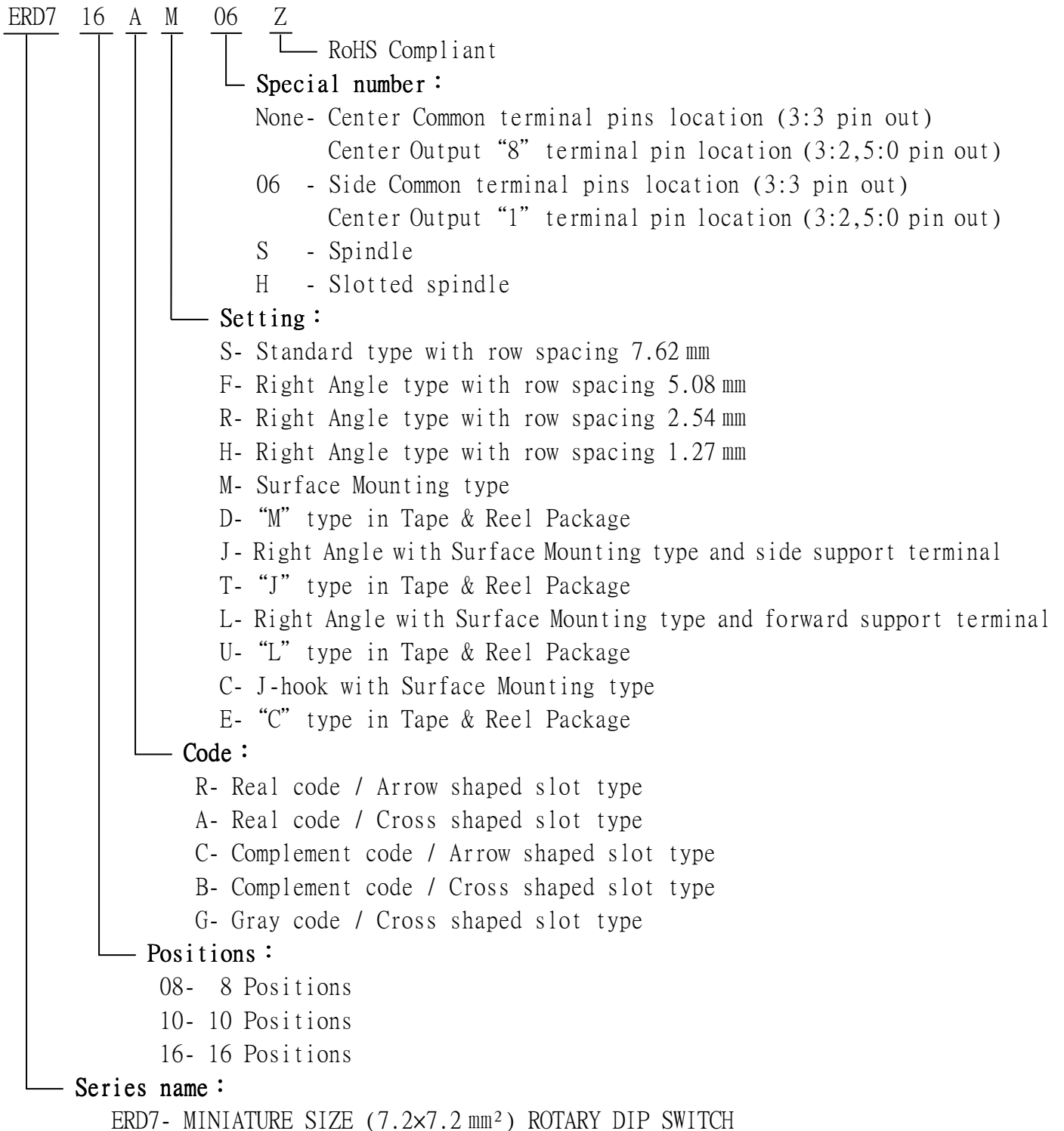
(8) MANUFACTURERS NAME

SPECIFICATION

Edition

6

5. PART NUMBERING SYSTEM :



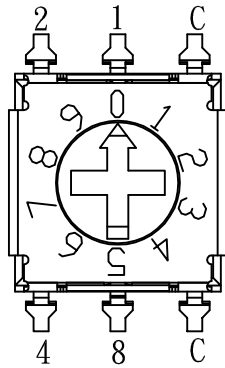
 <small>ISO 9001 An TS 14001 Company OHSAS 18001</small> EXCEL CELL ELECTRONIC CO., LTD.	NO.	A31140	PAGE 4
SPECIFICATION	Edition	6	

6. DRAWINGS :

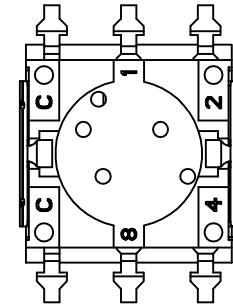
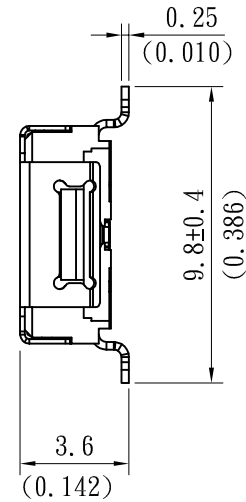
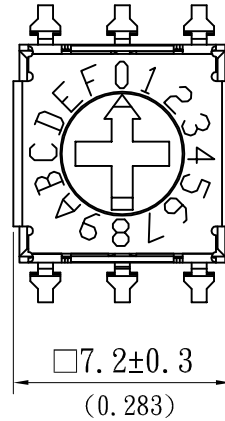
Dip switch dimensions :	see attached drawing.
Circuit diagram :	see attached drawing.
P.C.B. layout diagram :	see attached drawing.

ERD7XXAMX6Z/ERD7XXBMX6Z

10 POSITIONS

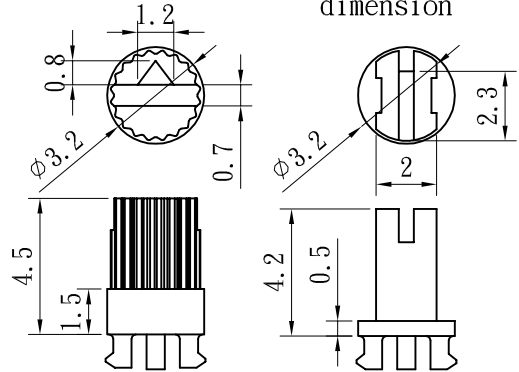


16 POSITIONS



Spindle dimension

Slotted spindle dimension



CONSTRUCTION

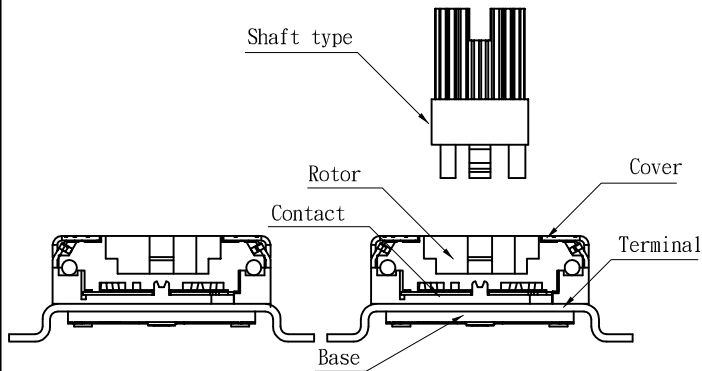
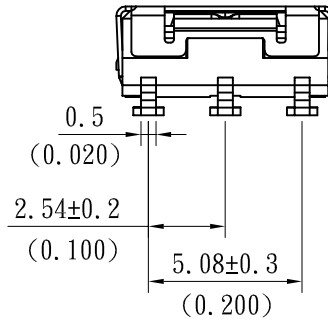
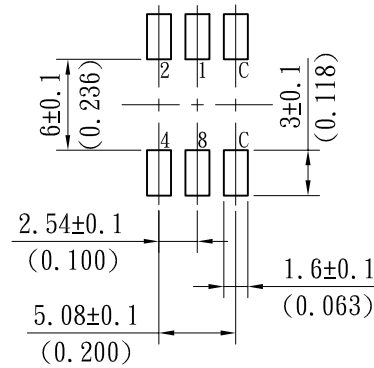


Figure1 : ERD7XXXXM06Z
Cross shaped slot type

Note Figure2 : Shaft available



P. C. B LAYOUT



PIN NO	POSITION															
	0	1	2	3	4	5	6	7	8	9	A	B	C	D	E	F
1	●	●	●	●	●	●	●	●	●	●	●	●	●	●	●	●
2	○	○	○	○	○	○	○	○	○	○	○	○	○	○	○	○
4	○	○	○	○	○	○	○	○	○	○	○	○	○	○	○	○
8	○	○	○	○	○	○	○	○	○	○	○	○	○	○	○	○

● Real Code Rotor color : 10P-Orange / 16P-Red
○ Complementary Code Rotor color : 10P-Green / 16P-Blue

				NORMAL TOLERANCE		EXCEL CELL ELECTRONIC CO., LTD.				PART NUMBER		-----				
				RANGE	TOLERANCE					UNIT		MM (INCH)	PART NAME	ERD7		
				0-1	±0.1	CHECK	Gary Kuo	DESIGN	TIM	DRAWN	TIM	SCALE	4:1	TYPE	3:3(SMT)	
				1-4	±0.3							SIZE	A4	FILE NAME	7187XXX2X6A.DWG	
				4-16	±0.5							PROJECTION		EDITION	A	
				16-63	±0.8											
				63-250	±1.0											
NO.	DETAILS	ALTERED BY	DATE													