

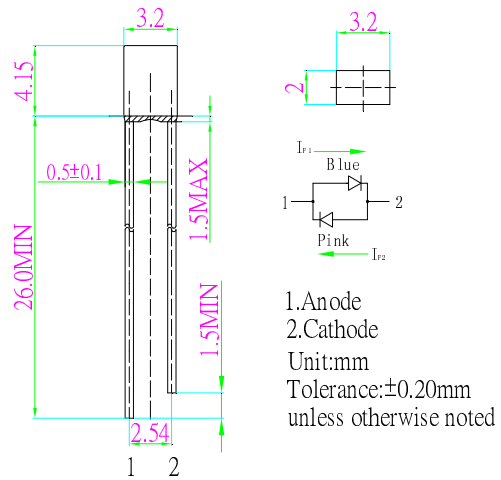
**■Features**

- High Luminous LEDs
- 2\*3\*4mm Rectangular Standard Directivity
- Long Lifetime Operation
- Superior Weather-resistance
- UV Resistant Epoxy/ Water Clear Type

**■Applications**

- Toys
- Audio
- Games
- Other Lighting

**■Outline Dimension**



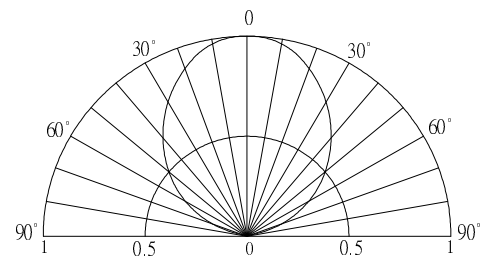
**■Absolute Maximum Rating**

(Ta=25°C)

Item	Symbol	Value		Unit
		Blue	Pink	
DC Forward Current	I <sub>F</sub>	30	30	mA
Pulse Forward Current*	I <sub>FP</sub>	100	100	mA
Reverse Voltage	V <sub>R</sub>	5	5	V
Power Dissipation	P <sub>D</sub>	102	102	mW
Operating Temperature	Topr	-30 ~ +85		°C
Storage Temperature	Tstg	-40~ +100		°C
Lead Soldering Temperature	Tsol	260°C/5sec		-

\*Pulse width Max.10ms Duty ratio max 1/10

**■Directivity**



**■Electrical -Optical Characteristics**

(Ta=25°C)

Item	Color.	Symbol	Condition	Min.	Typ.	Max.	Unit
DC Forward Voltage	Blue	V <sub>F1</sub>	I <sub>F1</sub> =20mA	2.7	3.0	3.4	V
	Pink	V <sub>F2</sub>	I <sub>F2</sub> =20mA	2.7	3.0	3.4	V
Domi. Wavelength*	Blue	λ <sub>D1</sub>	I <sub>F1</sub> =20mA	465	470	475	nm
Chromaticity Coordinates*	Pink	x	I <sub>F</sub> =20mA	-	0.45		
	Pink	y	I <sub>F</sub> =20mA	-	0.17		
Luminous Intensity*	Blue	I <sub>v1</sub>	I <sub>F1</sub> =20mA	330	500	-	mcd
	Pink	I <sub>v2</sub>	I <sub>F2</sub> =20mA	150	220	-	mcd
50%Power Angle	Blue	2θ <sub>1/2</sub>	I <sub>F1</sub> =20mA	-	100	-	deg
	Pink	2θ <sub>1/2</sub>	I <sub>F2</sub> =20mA	-	100	-	deg

\*1 Tolerance of measurements of dominant wavelength is ±1nm

\*2 Tolerance of measurements of Luminous Intensity is ±15%

\*3 Tolerance of measurements of forward voltage is ±0.1