

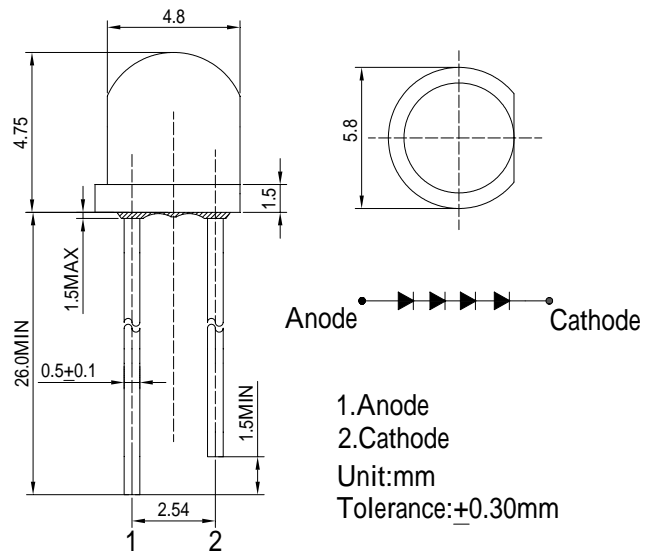
### Features

- Higher Luminous Output
- 4.8mm Straw Standard Directivity
- Superior Weather-resistance
- Long Lifetime Operation
- Water Clear Type

### Applications

- Electronic Signs And Signals
- Illuminations
- Reading Lamps / Emergency Lighting
- Other Lighting

### Outline Dimension

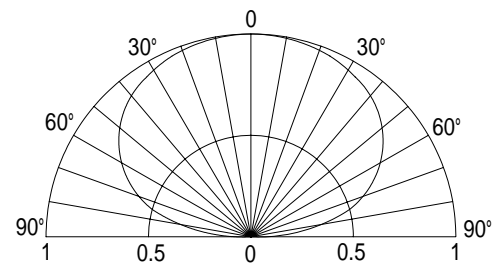


### Absolute Maximum Rating (Ta=25 °C)

Item	Symbol	Value	Unit
DC Forward Current	$I_F$	20	mA
Pulse Forward Current*	$I_{FP}$	40	mA
Reverse Voltage	$V_R$	5	V
Power Dissipation	$P_D$	272	mW
Operating Temperature	$T_{opr}$	-30 ~ +85	
Storage Temperature	$T_{stg}$	-40 ~ +100	
Lead Soldering Temperature	$T_{sol}$	260 /5sec	-

\*Pulse width Max 10ms , Duty ratio max 1/10

### Directivity



### Electrical -Optical Characteristics (Ta=25 °C)

Item	Symbol	Condition	Min.	Typ.	Max.	Unit
DC Forward Voltage	$V_F$	$I_F=20mA$	11.6	12.0	13.6	V
DC Reverse Current	$I_R$	$V_R=5V$	-	-	10	$\mu A$
Luminous Flux	$\nu$	$I_F=20mA$	28	30	-	lm
Color Temperature	CCT	$I_F=20mA$	-	6500	-	K
Chromaticity Coordinate*2	x	$I_F=20mA$	-	0.31	-	
	y	$I_F=20mA$	-	0.33	-	
50% Power Angle	$2\theta_{1/2}$	$I_F=20mA$	-	150	-	deg

\*1 Tolerance of chromaticity coordinates  $\pm 10\%$

\*2 Tolerance of luminous flux is  $\pm 15\%$