

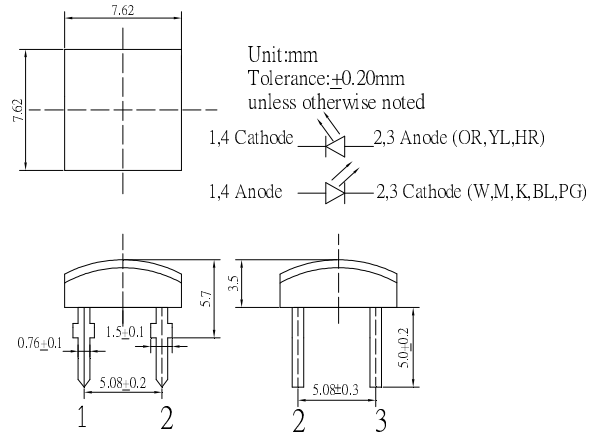
### ■Features

- High Luminous Super Flux Output
- Arc Standard Directivity
- Long Lifetime Operation
- Superior Weather-Resistance
- UV Resistant Epoxy
- Water Clear Type

### ■Applications

- Automotive tail, stop, turn signal lamps and interior lighting
- Signage and channel letter
- Decoration and entertainment lighting
- Architectural lighting / Other Lighting

### ■Outline Dimension



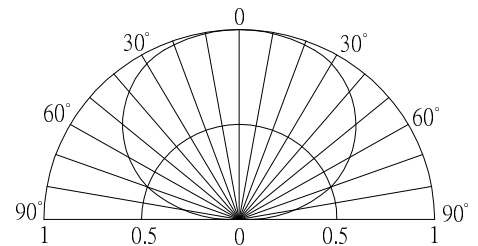
### ■Absolute Maximum Rating

(Ta=25°C)

Item	Symbol	Value		Unit
		W/M/K/B/PG	Y/O/R	
DC Forward Current	I <sub>F</sub>	50	50	mA
Pulse Forward Current*	I <sub>FP</sub>	100	100	mA
Reverse Voltage	V <sub>R</sub>	5	5	V
Power Dissipation	P <sub>D</sub>	180	130	mW
Operating Temperature	Topr	-30 ~ +85		°C
Storage Temperature	Tstg	-40 ~ +100		°C
Lead Soldering Temperature	Tsol	260 °C/5sec		-

\*Pulse width Max.10ms Duty ratio max 1/10

### ■Directivity



### ■Electrical -Optical Characteristics

(Ta=25°C)

Part Number	Color		V <sub>F</sub> (V)			I <sub>R</sub> (μA)	I <sub>v</sub> (mcd)			λD (nm)			θ1/2 (deg)
			Min.	Typ.	Max.	Max.	Min.	Typ.	Max.	Min.	Typ.	Max.	Typ.
			I <sub>F</sub> =30mA/ I <sub>F</sub> =50MA			V <sub>R</sub> =5V	I <sub>F</sub> =30mA(W/M/K/B/PG) / I <sub>F</sub> =50MA(Y/O/R)						
OSW54LZ4E1D	White	W5	2.8	3.1	3.6	10	1870	2400			X=0.27, Y=0.28		140
OSM54LZ4E 1D	Warm white	M5	2.8	3.1	3.6	10	900	1400			X=0.45, Y=0.41		140
OSK54LZ4E 1D	Pink	K5	2.8	3.1	3.6	10	260	400			X=0.45, Y=0.17		140
OSB56LZ4E 1D	Blue	B5	2.8	3.1	3.6	10	500	750		465	465	475	140
OSG58AZ4E 1D	Pure green	G5	2.8	3.1	3.6	10	3000	4000		520	525	530	140
OSY5PAZ4E 1D	Yellow	Y5	1.8	2.2	2.6	10	750	1200		585	590	595	140
OSO5PAZ4E 1D	Orange	O5	1.8	2.2	2.6	10	750	1200		600	605	610	140
OSR5PAZ4E 1D	Red	R5	1.8	2.2	2.6	10	750	1200		620	625	630	140

\*1 Tolerance of measurements of chromaticity coordinates is ±10%

\*2 Tolerance of measurements of dominant wavelength is ±1nm

\*3 Tolerance of measurements of luminous intensity is ±15%

\*4 Tolerance of measurements of forward voltage is ±0.1V