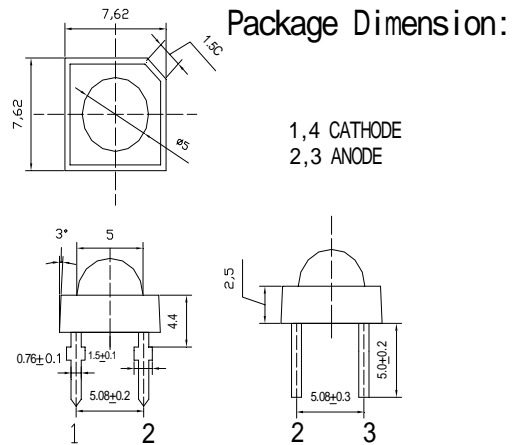


**■Features**

- Super Flux Output
- Water Clear Type
- Low Thermal resistance
- Design For High Current Operation.
- RoHS Compliant

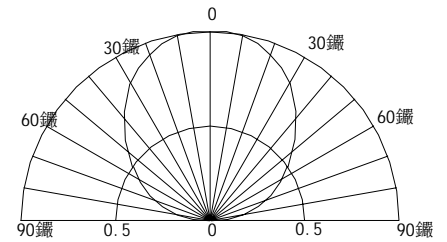
**■Applications**

- Automotive Dashboard Lighting
- Traffic signal lamp
- Other Exterior Lighting

**■Outline Dimension**

**■Absolute Maximum Rating (Ta=25 °C)**

Item	Symbol	Value	Unit
DC Forward Current	$I_F$	70	mA
Pulse Forward Current*	$I_{FP}$	100	mA
Power Dissipation	$P_D$	160	mW
Operating Temperature	$T_{opr}$	-30~+80	
Storage Temperature	$T_{stg}$	-30~+100	
Lead Soldering Temperature	$T_{sol}$	260 /5sec	-

\*Pulse width Max.10ms Duty ratio max 1/10

**■Directivity**

**■Electrical -Optical Characteristics (Ta=25 °C)**

Item	Symbol	Condition	Min.	Typ.	Max.	Unit
DC Forward Voltage	$V_F$	$I_F=50mA$	2.2	2.5	2.8	V
DC Reverse Current	$I_R$	$V_R=5V$	-	-	10	$\mu A$
Domi. Wavelength	$\lambda_D$	$I_F=50mA$	620	625	630	nm
Luminous Intensity	$I_V$	$I_F=50mA$	2000	3000	4000	mcd
50% Power Angle	$2\theta_{1/2}$	$I_F=50mA$	-	120	-	deg

\*Please refer to CIE 1931 chromaticity diagram.